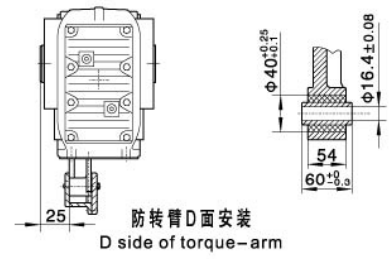
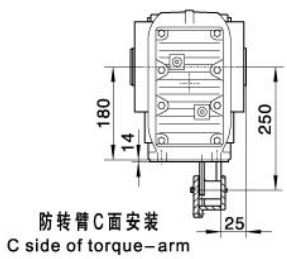
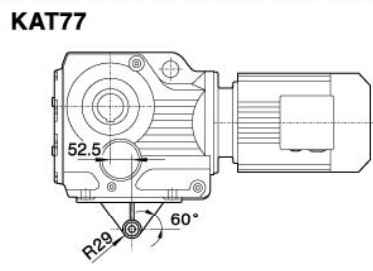
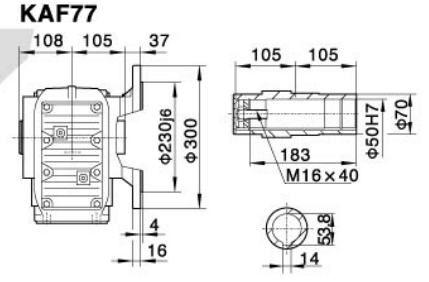
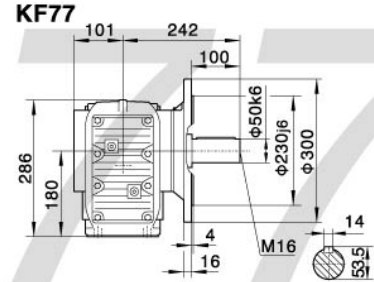
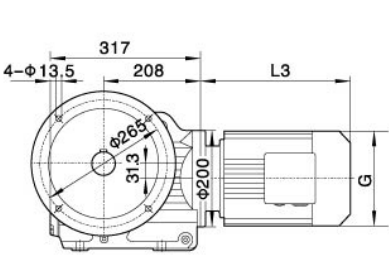
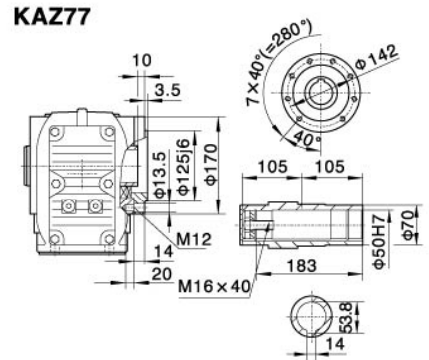
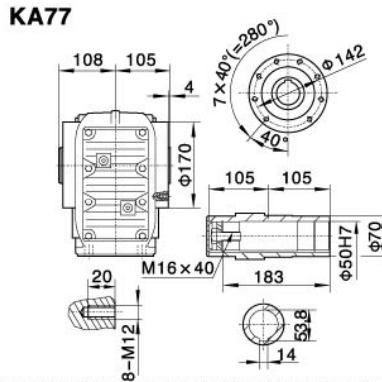
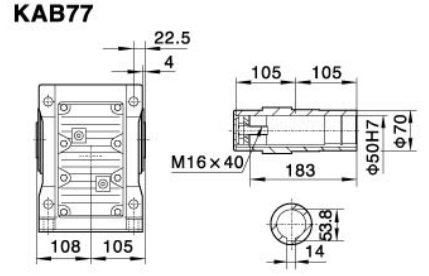
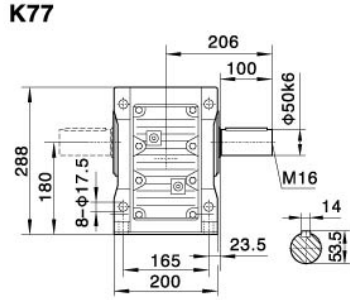
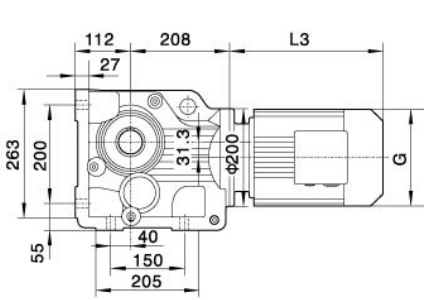
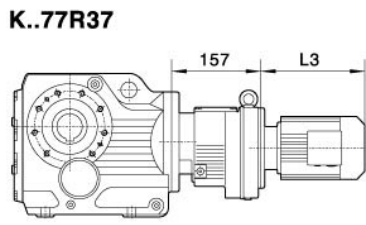
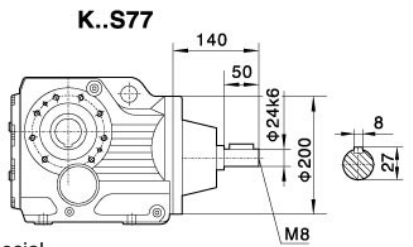
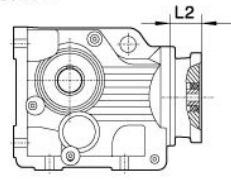


外形安装尺寸 Mounting Dimension Sheets-overview



电机需方配或配特殊电机时
需加联接法兰



注:其余尺寸见
相对应结构
形式

Note:For other
values please
refer to the o-
pposited stru-
cture.

When equipping the user's motor or the special
one,the flange is required to be connected.

Y2电机机座号 Motor size	71	80		90S	90L	100		112M	132S	132M	160M
功率/4P Power/(kW)	0.37	0.55	0.75	1.1	1.5	2.2	3.0	4.0	5.5	7.5	11
L3	233	278		304	328	350		380	425	461	524
G	145	175		195	195	215		240	275	275	330
L2	81	81		81	81	93		93	101	101	126

注:1.KA, KF, KAF, KAZ壳体为通用件,安装尺寸均可相互参照。 2."K.."表示K, KA, KF, KAF, KAZ, KAB.
Note:1.The housings of KA, KF, KAF, KAZ are common parts.The mounting dimensions may consult each other. 2."K.."mean K, KA, KF, KAF, KAZ, KAB.