



YE3

YE3 系列超高效率三相异步电动机 PREMIUM EFFICIENCY THREE-PHASE ASYNCHRONOUS MOTOR

YE3系列超高效率三相异步电动机符合 GB 18613-2020《中小型三相异步电动机能效限定值及能效等级》中规定二级效率标准。同时，符合 IEC60034-30-2008标准的IE3能效等级。

其提高效率设计，符合国家对生产制造行业提出节能降耗的要求。

YE3系列电机的安装尺寸符合IEC60034标准。具有结构合理，外形美观，效率高，噪音低，防护等级、绝缘等级高等优点，可广泛应用于风机、水泵、机床、压缩机运输机械等驱动各种通用机械设备，也可在石油、化工、钢铁、矿山等其它环境比较恶劣的场所使用。

The YE3 series premium efficiency three-phase asynchronous motor is inline with IE3 efficiency standard in the provisions of IEC60034-30-2008. And the improvement of the efficiency in its design is in line with the state's requirements on the energy saving and consumption reducing of the manufacturing sector.

YE3 series premium efficiency three-phase asynchronous motor with the mounting dimension in accordance with standard IEC60034, It has good features like optimum structure, attractive appearance, low noise, high efficiency, high protection class as well as high insulation class. YE3 series premium efficiency three-phase asynchronous motor can be widely used in various kinds of general use machineries like fans, pumps, machine tools, compressors, transportation and so on, and can also be used in the hazardous areas with oil and chemical, steel plants, mining industry.

详细说明 Details

现场条件 Site condition

YE3系列超高效率三相异步电动机适用于大多数的场合及环境。电动机标准工作条件为-20℃到+40℃，海拔1000米。YE3 series ultra-high efficiency three-phase induction motors are suitable for most situations and environments. The standard operating conditions of the motor range from -20 °C to +40 °C with an altitude of 1000 meters.

温升和绝缘 Temperature rise and insulation

电动机按F级绝缘设计(155℃)，按B级绝缘考核(80K)，电动机的使用寿命和可靠性得到保证。The motor is designed according to Class F insulation (155 °C) and tested according to Class B insulation (80K). The service life and reliability of the motor are guaranteed.

冷却和通风 Cooling and ventilation

标准冷却方式为全封闭自扇冷 (TEFC)。标准电机装有辅助式塑料风扇。符合IEC 60034-6中IC411的规定。The Standard cooling mode is totally enclosed self-fan cooling (TEFC). Standard Motors are equipped with an auxiliary flow plastic fan. Comply with IC411 in IEC 60034-6.

防护等级 Protection level

电动机的防护等级为IP55，可用于含尘或潮湿环境。也可根据客户要求提供更高防护等级的电动机。The protection grade of the motor is IP55 and can be used in dusty or wet environment. Higher Protection Grade Motors are also available upon request.

电机保护 Motor protection

可根据要求安装PTC、PT100等绕组和轴承测温及保护装置。PTC, PT100 and other windings and bearings can be installed according to the requirements of temperature and protection devices.

电压、频率 Voltage, frequency

标准电机为380V/50HZ。可设计200-660V范围内任意电压的50Hz的电动机。在供电电压偏离额定电压±5%的情况下，仍能良好运行。The Standard Motor is 380V/50HZ. Can Be designed in the range of 200-660V arbitrary voltage 50Hz motor. When the supply voltage deviates from the rated voltage by ± 5%, it can still run well.

振动 Vibration

YE3系列超高效率三相异步电动机在空载时振动速度等级符合A级。特殊要求时，可提供B级电动机。YE3 series ultra-high efficiency three-phase induction motors in no-load Vibration Speed Class A. Class B motors are available upon special request.

接线盒位置 Junction box location

接线盒在机座上方或右侧为标准YE3系列电机。The junction box is a standard YE3 series motor above or to the right of the frame.

质量保证 Quality Assurance

从产品设计到产品出厂，遵循ISO9001质量管理体系，严格遵守质量程序。From the product design to the product factory, in accordance with the ISO9001 quality certification system, strict compliance with quality procedures.

性能数据 Performance Data

Rated Voltage: 380V FUNDAMENTAL FREQUENCY: 50HZ

额定电压: 380V 基频: 50HZ

型号 motor type	功率 KW	额定 电流 A	转速 r/min	效率 Eff.%	功率 因数 P.F	额定 转矩 N.m	堵转转矩 额定转矩 $\frac{T_{st}}{T_N}$	堵转电流 额定电流 $\frac{I_{st}}{I_N}$	最大转矩 额定转矩 $\frac{T_{max}}{T_N}$	重量 Kg
同步转速 3000 r/min										
YE3-63M1-2	0.18	0.53	2720	65.9	0.80	0.63	2.2	5.5	2.2	--
YE3-63M2-2	0.25	0.70	2720	69.7	0.81	0.88	2.2	5.5	2.2	--
YE3-71M1-2	0.37	1.0	2740	73.8	0.81	1.29	2.2	6.1	2.2	--
YE3-71M2-2	0.55	1.4	2740	77.8	0.82	1.92	2.2	6.1	2.2	--
YE3-80M1-2	0.75	1.7	2870	80.7	0.82	2.50	2.2	7.0	2.3	15
YE3-80M2-2	1.1	2.4	2875	82.7	0.83	3.65	2.2	7.3	2.3	16.5
YE3-90S-2	1.5	3.2	2880	84.2	0.84	4.97	2.2	7.6	2.3	20
YE3-90L-2	2.2	4.6	2880	85.9	0.85	7.30	2.2	7.6	2.3	24
YE3-100L-2	3	6.0	2880	87.1	0.87	9.95	2.2	7.8	2.3	31
YE3-112M-2	4	7.8	2915	88.1	0.88	13.1	2.2	8.3	2.3	38
YE3-132S1-2	5.5	10.6	2935	89.2	0.88	17.9	2.0	8.3	2.3	58
YE3-132S2-2	7.5	14.4	2930	90.1	0.88	24.4	2.0	7.9	2.3	62
YE3-160M1-2	11	20.6	2950	91.2	0.89	35.6	2.0	8.1	2.3	103
YE3-160M2-2	15	27.9	2945	91.9	0.89	48.6	2.0	8.1	2.3	112
YE3-160L-2	18.5	34.2	2945	92.4	0.89	60.0	2.0	8.2	2.3	135
YE3-180M-2	22	40.5	2950	92.7	0.89	71.2	2.0	8.2	2.3	165
YE3-200L1-2	30	54.9	2965	93.3	0.89	96.6	2.0	7.6	2.3	215
YE3-200L2-2	37	67.4	2965	93.7	0.89	119	2.0	7.6	2.3	232
YE3-225M-2	45	80.8	2965	94.0	0.90	145	2.0	7.7	2.3	285
YE3-250M-2	55	98.5	2975	94.3	0.90	177	2.0	7.7	2.3	375
YE3-280S-2	75	134	2975	94.7	0.90	241	1.8	7.1	2.3	500
YE3-280M-2	90	160	2975	95.0	0.90	289	1.8	7.1	2.3	550
YE3-315S-2	110	195	2985	95.2	0.90	352	1.8	7.1	2.3	860
YE3-315M-2	132	234	2985	95.4	0.90	422	1.8	7.1	2.3	960
YE3-315L1-2	160	279	2985	95.6	0.91	512	1.8	7.2	2.3	1020
YE3-315L-2	185	323	2985	95.7	0.91	592	1.8	7.2	2.3	--
YE3-315L2-2	200	349	2985	95.8	0.91	640	1.8	7.2	2.2	1080
YE3-315L3-2	220	383	2985	95.8	0.91	704	1.8	7.2	2.2	--
YE3-355M1-2	220	383	2985	95.8	0.91	704	1.8	7.2	2.2	--
YE3-355M-2	250	436	2985	95.8	0.91	800	1.6	7.2	2.2	1700
YE3-355L1-2	280	488	2985	95.8	0.91	896	1.6	7.2	2.2	--
YE3-355L-2	315	549	2985	95.8	0.91	1008	1.6	7.2	2.2	1850
YE3-355L2-2	355	619	2985	95.8	0.91	1136	1.6	7.2	2.2	--
YE3-355L3-2	375	654	2985	95.8	0.91	1200	1.6	7.2	2.2	--

技术数据 Technical data 4极-同步转速1500r/min 50Hz 4 pole-1500 rpm synchronous speed 50Hz

型号 motor type	功率 KW	额定 电流 A	转速 r/min	效率 Eff.%	功率 因数 P.F	额定 转矩 N.m	堵转转矩 额定转矩 $\frac{T_{st}}{T_N}$	堵转电流 额定电流 $\frac{I_{st}}{I_N}$	最大转矩 额定转矩 $\frac{T_{max}}{T_N}$	重量 Kg
同步转速 1500 r/min										
YE3-63M1-4	0.12	0.45	1310	64.8	0.72	0.87	2.1	4.4	2.2	--
YE3-63M2-4	0.18	0.64	1310	69.9	0.73	1.31	2.1	4.4	2.2	--
YE3-71M1-4	0.25	0.81	1330	73.5	0.74	1.80	2.1	5.2	2.2	--
YE3-71M2-4	0.37	1.1	1330	77.3	0.75	2.66	2.1	5.2	2.2	--
YE3-80M1-4	0.55	1.4	1430	80.8	0.75	3.67	2.3	6.5	2.3	14.5
YE3-80M2-4	0.75	1.8	1430	82.5	0.75	5.01	2.3	6.6	2.3	15
YE3-90S-4	1.1	2.6	1430	84.1	0.76	7.35	2.3	6.8	2.3	19
YE3-90L-4	1.5	3.5	1430	85.3	0.77	10.0	2.3	7.0	2.3	23
YE3-100L1-4	2.2	4.8	1440	86.7	0.81	14.6	2.3	7.6	2.3	30
YE3-100L2-4	3	6.3	1440	87.7	0.82	19.9	2.3	7.6	2.3	33
YE3-112M-4	4	8.4	1455	88.6	0.82	26.3	2.2	7.8	2.3	43
YE3-132S-4	5.5	11.2	1465	89.6	0.83	35.9	2.0	7.9	2.3	60
YE3-132M-4	7.5	15.0	1465	90.4	0.84	48.9	2.0	7.5	2.3	69
YE3-160M-4	11	21.5	1470	91.4	0.85	71.5	2.0	7.7	2.3	107
YE3-160L-4	15	28.8	1470	92.1	0.86	97.4	2.0	7.8	2.3	130
YE3-180M-4	18.5	35.3	1470	92.6	0.86	120	2.0	7.8	2.3	162
YE3-180L-4	22	41.8	1470	93.0	0.86	143	2.0	7.8	2.3	175
YE3-200L-4	30	56.6	1475	93.6	0.86	194	2.0	7.3	2.3	227
YE3-225S-4	37	69.6	1480	93.9	0.86	239	2.0	7.4	2.3	282
YE3-225M-4	45	84.4	1480	94.2	0.86	290	2.0	7.4	2.3	315
YE3-250M-4	55	103	1485	94.6	0.86	354	2.0	7.4	2.3	390
YE3-280S-4	75	136	1490	95.0	0.88	481	2.0	6.7	2.3	525
YE3-280M-4	90	163	1490	95.2	0.88	577	2.0	6.9	2.3	590
YE3-315S-4	110	197	1490	95.4	0.89	705	2.0	7.0	2.2	900
YE3-315M-4	132	236	1490	95.6	0.89	846	2.0	7.0	2.2	1000
YE3-315L1-4	160	285	1490	95.8	0.89	1026	2.0	7.1	2.2	1070
YE3-315L-4	185	329	1490	96.0	0.89	1186	2.0	7.1	2.2	--
YE3-315L2-4	200	352	1490	96.0	0.90	1282	2.0	7.1	2.2	1140
YE3-315L3-4	220	387	1490	96.0	0.90	1410	2.0	7.1	2.2	--
YE3-355M1-4	220	387	1490	96.0	0.90	1410	2.0	7.1	2.2	--
YE3-355M-4	250	440	1495	96.0	0.90	1597	2.0	7.1	2.2	1760
YE3-355L1-4	280	492	1495	96.0	0.90	1789	2.0	7.1	2.2	--
YE3-355L-4	315	554	1495	96.0	0.90	2012	2.0	7.1	2.2	1920
YE3-355L2-4	355	638	1495	96.0	0.88	2268	1.7	7.0	2.2	--
YE3-355L3-4	375	674	1495	96.0	0.88	2395	1.7	7.0	2.2	--

性能数据 Performance Data

Rated Voltage: 380V FUNDAMENTAL FREQUENCY: 50HZ

额定电压: 380V 基频: 50HZ

型号 motor type	功率 KW	额定 电流 A	转速 r/min	效率 Eff.%	功率 因数 P.F	额定 转矩 N.m	堵转转矩 额定转矩 $\frac{T_{st}}{T_N}$	堵转电流 额定电流 $\frac{I_{st}}{I_N}$	最大转矩 额定转矩 $\frac{T_{max}}{T_N}$	重量 Kg
同步转速 1000r/min										
YE3-71M1-6	0.18	0.76	850	63.9	0.66	2.02	1.9	4.0	2.0	--
YE3-71M2-6	0.25	0.97	850	68.6	0.68	2.81	1.9	4.0	2.0	--
YE3-80M1-6	0.37	1.2	910	73.5	0.70	3.88	1.9	5.5	2.0	15.5
YE3-80M2-6	0.55	1.6	925	77.2	0.71	5.68	1.9	5.8	2.1	16.5
YE3-90S-6	0.75	2.0	945	78.9	0.71	7.58	2.0	6.0	2.1	20
YE3-90L-6	1.1	2.8	950	81.0	0.73	11.1	2.0	6.0	2.1	24
YE3-100L-6	1.5	3.8	950	82.5	0.73	15.1	2.0	6.5	2.1	29
YE3-112M-6	2.2	5.4	965	84.3	0.74	21.8	2.0	6.6	2.1	37
YE3-132S-6	3	7.2	975	85.6	0.74	29.4	1.9	6.8	2.1	53
YE3-132M1-6	4	9.5	975	86.8	0.74	39.2	1.9	6.8	2.1	64
YE3-132M2-6	5.5	12.7	975	88.0	0.75	53.9	1.9	7.0	2.1	72
YE3-160M-6	7.5	16.2	980	89.1	0.79	73.1	1.9	7.0	2.1	97
YE3-160L-6	11	23.1	980	90.3	0.80	107	1.9	7.2	2.1	126
YE3-180L-6	15	30.9	980	91.2	0.81	146	1.9	7.3	2.1	166
YE3-200L1-6	18.5	37.8	985	91.7	0.81	179	1.9	7.3	2.1	205
YE3-200L2-6	22	44.8	985	92.2	0.81	213	1.9	7.4	2.1	220
YE3-225M-6	30	59.1	985	92.9	0.83	291	1.9	6.9	2.1	290
YE3-250M-6	37	71.7	985	93.3	0.84	359	1.9	7.1	2.1	370
YE3-280S-6	45	85.8	990	93.7	0.85	434	1.9	7.3	2.0	490
YE3-280M-6	55	103	990	94.1	0.86	531	1.9	7.3	2.0	540
YE3-315S-6	75	143	990	94.6	0.84	723	1.9	6.6	2.0	850
YE3-315M-6	90	170	990	94.9	0.85	868	1.9	6.7	2.0	960
YE3-315L1-6	110	207	990	95.1	0.85	1061	1.9	6.7	2.0	1060
YE3-315L2-6	132	244	990	95.4	0.86	1273	1.9	6.8	2.0	1120
YE3-315L3-6	160	296	990	95.6	0.86	1543	1.9	6.8	2.0	--
YE3-355M1-6	160	296	995	95.6	0.86	1536	1.9	6.8	2.0	1680
YE3-355M-6	185	342	995	95.8	0.86	1776	1.9	6.8	2.0	--
YE3-355M2-6	200	365	995	95.8	0.87	1920	1.9	6.8	2.0	1780
YE3-355L1-6	220	401	995	95.8	0.87	2112	1.9	6.8	2.0	--
YE3-355L-6	250	456	995	95.8	0.87	2399	1.9	6.8	2.0	1950
YE3-355L2-6	280	510	995	95.8	0.87	2687	1.9	6.8	2.0	--
YE3-355L3-6	315	581	995	95.8	0.86	3023	1.9	6.8	2.0	--

技术数据 Technical data 4极-同步转速1500r/min 50Hz 4 pole-1500 rpm synchronous speed 50Hz

型号 motor type	功率 KW	额定 电流 A	转速 r/min	效率 Eff.%	功率 因数 P.F	额定 转矩 N.m	堵转转矩 额定转矩 $\frac{T_{st}}{T_N}$	堵转电流 额定电流 $\frac{I_{st}}{I_N}$	最大转矩 额定转矩 $\frac{T_{max}}{T_N}$	重量 Kg
同步转速 750r/min										
YE3-80M1-8	0.18	0.80	700	58.7	0.61	2.46	1.8	3.3	1.9	15.5
YE3-80M2-8	0.25	1.1	700	64.1	0.61	3.41	1.8	3.3	1.9	16.5
YE3-90S-8	0.37	1.4	695	69.3	0.61	5.08	1.8	4.0	1.9	20
YE3-90L-8	0.55	2.0	695	73.0	0.61	7.56	1.8	4.0	2.0	24
YE3-100L1-8	0.75	2.3	705	75.0	0.67	10.2	1.8	4.0	2.0	30
YE3-100L2-8	1.1	3.2	705	77.7	0.69	14.9	1.8	5.0	2.0	32
YE3-112M-8	1.5	4.2	715	79.7	0.70	20.0	1.8	5.0	2.0	40
YE3-132S-8	2.2	5.9	730	81.9	0.71	28.8	1.8	6.0	2.2	52
YE3-132M-8	3	7.6	730	83.5	0.73	39.2	1.8	6.0	2.2	63
YE3-160M1-8	4	9.8	725	84.8	0.73	52.7	1.9	6.0	2.2	90
YE3-160M2-8	5.5	13.1	725	86.2	0.74	72.4	1.9	6.0	2.2	100
YE3-160L-8	7.5	17.4	730	87.3	0.75	98.1	1.9	6.0	2.2	124
YE3-180L-8	11	25.0	725	88.6	0.75	145	1.9	6.5	2.2	160
YE3-200L-8	15	33.2	730	89.6	0.76	196	2.0	6.6	2.2	212
YE3-225S-8	18.5	40.6	735	90.1	0.76	240	2.0	6.6	2.2	255
YE3-225M-8	22	46.8	735	90.6	0.78	286	2.0	6.6	2.2	285
YE3-250M-8	30	62.6	735	91.3	0.79	390	1.9	6.5	2.0	370
YE3-280S-8	37	76.5	740	91.8	0.79	478	1.8	6.6	2.0	485
YE3-280M-8	45	92.6	740	92.2	0.79	581	1.8	6.6	2.0	540
YE3-315S-8	55	110	740	92.5	0.81	710	1.8	6.6	2.0	820
YE3-315M-8	75	150	740	93.1	0.81	968	1.8	6.2	2.0	970
YE3-315L1-8	90	176	740	93.4	0.82	1161	1.8	6.4	2.0	1050
YE3-315L2-8	110	215	740	93.7	0.82	1420	1.8	6.4	2.0	1130
YE3-355M1-8	132	257	745	94.0	0.82	1692	1.8	6.4	2.0	1720
YE3-355M2-8	160	312	745	94.3	0.82	2051	1.8	6.4	2.0	1800
YE3-355L1-8	185	360	745	94.6	0.82	2371	1.8	6.4	2.0	---
YE3-355L-8	200	385	745	94.6	0.83	2564	1.8	6.4	2.0	1950
YE3-355L2-8	220	423	745	94.6	0.83	2820	1.8	6.4	2.0	---
YE3-355L3-8	250	481	745	94.6	0.83	3205	1.8	6.5	2.0	---
同步转速 600r/min										
YE3-315S-10	45	99	590	92.0	0.75	728	1.5	6.2	2.0	830
YE3-315M-10	55	120	590	92.5	0.75	890	1.5	6.2	2.0	940
YE3-315L1-10	75	161	590	93.0	0.76	1214	1.5	5.8	2.0	1070
YE3-315L2-10	90	190	590	93.4	0.77	1457	1.5	5.9	2.0	1150
YE3-355M1-10	110	228	595	93.8	0.78	1766	1.3	6.0	2.0	1660
YE3-355M2-10	132	273	595	94.2	0.78	2119	1.3	6.0	2.0	1780
YE3-355L1-10	160	331	595	94.2	0.78	2568	1.3	6.0	2.0	---
YE3-355L-10	185	383	595	94.2	0.78	2969	1.3	6.0	2.0	1950
YE3-355L2-10	200	414	595	94.2	0.78	3210	1.3	6.0	2.0	---



YE4

YE4 系列超高效率三相异步电动机 PREMIUM EFFICIENCY THREE-PHASE ASYNCHRONOUS MOTOR

YE4系列超高效率三相异步电动机符合 GB 18613-2020《中小型三相异步电动机能效限定值及能效等级》中规定二级效率标准。同时，符合 IEC60034-30-2008标准的IE3能效等级。

其提高效率设计，符合国家对生产制造行业提出节能降耗的要求。

YE4系列电机的安装尺寸符合IEC60034标准。具有结构合理，外形美观，效率高，噪音低，防护等级、绝缘等级高等优点，可广泛应用于风机、水泵、机床、压缩机运输机械等驱动各种通用机械设备，也可在石油、化工、钢铁、矿山等其它环境比较恶劣的场所使用。

The YE4 series premium efficiency three-phase asynchronous motor is inline with IE3 efficiency standard in the provisions of IEC60034-30-2008. And the improvement of the efficiency in its design is in line with the state's requirements on the energy saving and consumption reducing of the manufacturing sector.

YE4 series premium efficiency three-phase asynchronous motor with the mounting dimension in accordance with standard IEC60034, It has good features like optimum structure, attractive appearance, low noise, high efficiency, high protection class as well as high insulation class. YE4 series premium efficiency three-phase asynchronous motor can be widely used in various kinds of general use machineries like fans, pumps, machine tools, compressors, transportation and so on, and can also be used in the hazardous areas with oil and chemical, steel plants, mining industry.

详细说明 Details

现场条件 Site condition

YE4系列超高效率三相异步电动机适用于于大多数的场合及环境。电动机标准工作条件为-20℃到+40℃，海拔1000米。
YE4 series ultra-high efficiency three-phase induction motors are suitable for most situations and environments. The standard operating conditions of the motor range from -20 °C to +40 °C with an altitude of 1000 meters.

温升和绝缘 Temperature rise and insulation

电动机按F级绝缘设计(155℃)，按B级绝缘考核(80K)，电动机的使用寿命和可靠性得到保证。
The motor is designed according to Class F insulation (155 °C) and tested according to Class B insulation (80K). The service life and reliability of the motor are guaranteed.

冷却和通风 Cooling and ventilation

标准冷却方式为全封闭自扇冷(TEFC)。标准电机装有辅助式塑料风扇。符合IEC 60034-6中IC411的规定。
The Standard cooling mode is totally enclosed self-fan cooling (TEFC). Standard Motors are equipped with an auxiliary flow plastic fan, Comply with IC411 in IEC 60034-6.

防护等级 Protection level

电动机的防护等级为IP55，可用于含尘或潮湿环境。也可根据客户要求提供更高防护等级的电动机。
The protection grade of the motor is IP55 and can be used in dusty or wet environment. Higher Protection Grade Motors are also available upon request.

电机保护 Motor protection

可根据要求安装PTC、PT100等绕组和轴承测温及保护装置。
PTC, PT100 and other windings and bearings can be installed according to the requirements of temperature and protection devices.

电压、频率 Voltage, frequency

标准电机为380V/50Hz。可设计200~660V范围内任意电压的50Hz的电动机。在供电电压偏离额定电压±5%的情况下，仍能良好运行。
The Standard Motor is 380V/50Hz. Can Be designed in the range of 200~660V arbitrary voltage 50Hz motor. When the supply voltage deviates from the rated voltage by ± 5%, it can still run well.

振动 Vibration

YE4系列超高效率三相异步电动机在空载时振动速度等级符合A级。特殊要求时，可提供B级电动机。
YE4 series ultra-high efficiency three-phase induction motors in no-load Vibration Speed Class A. Class B motors are available upon special request.

接线盒位置 Junction box location

接线盒在机座上方或右侧为标准YE4系列电机。
The junction box is a standard YE4 series motor above or to the right of the frame.

质量保证 Quality Assurance

从产品设计到产品出厂，遵循ISO9001质量管理体系，严格遵守质量程序。
From the product design to the product factory, in accordance with the ISO9001 quality certification system, strict compliance with quality procedures.

性能数据 Performance Data

Rated Voltage: 380V FUNDAMENTAL FREQUENCY: 50HZ

额定电压: 380V 基频: 50HZ

型号 motor type	功率 KW	额定 电流 A	转速 r/min	效率 Eff.%	功率 因数 P.F	额定 转矩 N.m	堵转转矩 额定转矩 $\frac{T_{st}}{T_N}$	堵转电流 额定电流 $\frac{I_{st}}{I_N}$	最大转矩 额定转矩 $\frac{T_{max}}{T_N}$	重量 Kg
同步转速 3000 r/min										
YE4-63M1-2	0.18	0.53	2720	66.9	0.81	0.63	2.2	5.5	2.2	—
YE4-63M2-2	0.25	0.70	2720	70.7	0.81	0.88	2.2	5.5	2.2	—
YE4-71M1-2	0.37	1.0	2740	74.8	0.82	1.29	2.2	6.1	2.2	—
YE4-71M2-2	0.55	1.4	2740	78.8	0.82	1.92	2.2	6.1	2.2	—
YE4-80M1-2	0.75	1.7	2870	83.5	0.83	2.50	2.2	7.0	2.3	15
YE4-80M2-2	1.1	2.4	2875	85.2	0.83	3.65	2.2	7.3	2.3	16.5
YE4-90S-2	1.5	3.2	2880	86.5	0.85	4.97	2.2	7.6	2.3	20
YE4-90L-2	2.2	4.6	2880	88.0	0.86	7.30	2.2	7.6	2.3	24
YE4-100L-2	3	6.0	2880	89.1	0.87	9.95	2.2	7.8	2.3	31
YE4-112M-2	4	7.8	2915	90.4	0.88	13.1	2.2	8.3	2.3	38
YE4-132S1-2	5.5	10.6	2935	90.9	0.88	17.9	2.0	8.3	2.3	58
YE4-132S2-2	7.5	14.4	2930	91.7	0.89	24.4	2.0	7.9	2.3	62
YE4-160M1-2	11	20.6	2950	92.6	0.89	35.6	2.0	8.1	2.3	103
YE4-160M2-2	15	27.9	2945	93.3	0.89	48.6	2.0	8.1	2.3	112
YE4-160L-2	18.5	34.2	2945	93.7	0.89	60.0	2.0	8.2	2.3	135
YE4-180M-2	22	40.5	2950	94.0	0.89	71.2	2.0	8.2	2.3	165
YE4-200L1-2	30	54.9	2965	94.5	0.89	96.6	2.0	7.6	2.3	215
YE4-200L2-2	37	67.4	2965	94.8	0.89	119	2.0	7.6	2.3	232
YE4-225M-2	45	80.8	2965	95.0	0.89	145	2.0	7.7	2.3	285
YE4-250M-2	55	98.5	2975	95.3	0.89	177	2.0	7.7	2.3	375
YE4-280S-2	75	134	2975	95.6	0.89	241	1.8	7.1	2.3	500
YE4-280M-2	90	160	2975	95.8	0.89	289	1.8	7.1	2.3	550
YE4-315S-2	110	195	2985	96.0	0.89	352	1.8	7.1	2.3	860
YE4-315M-2	132	234	2985	96.2	0.89	422	1.8	7.1	2.3	960
YE4-315L1-2	160	279	2985	96.3	0.89	512	1.8	7.2	2.3	1020
YE4-315L-2	185	323	2985	96.5	0.89	592	1.8	7.2	2.3	—
YE4-315L2-2	200	349	2985	96.5	0.89	640	1.8	7.2	2.2	1080
YE4-315L3-2	220	383	2985	96.5	0.89	704	1.8	7.2	2.2	—
YE4-355M1-2	220	383	2985	96.5	0.89	704	1.8	7.2	2.2	—
YE4-355M-2	250	436	2985	96.5	0.91	800	1.6	7.2	2.2	1700
YE4-355L1-2	280	488	2985	96.5	0.91	896	1.6	7.2	2.2	—
YE4-355L-2	315	549	2985	96.5	0.91	1008	1.6	7.2	2.2	1850
YE4-355L2-2	355	619	2985	96.5	0.91	1136	1.6	7.2	2.2	—
YE4-355L3-2	375	654	2985	96.5	0.91	1200	1.6	7.2	2.2	—

技术数据 Technical data 4极-同步转速1500r/min 50Hz 4 pole-1500 rpm synchronous speed 50Hz

型号 motor type	功率 KW	额定 电流 A	转速 r/min	效率 Eff.%	功率 因数 P.F	额定 转矩 N.m	堵转转矩 额定转矩 $\frac{T_{st}}{T_N}$	堵转电流 额定电流 $\frac{I_{st}}{I_N}$	最大转矩 额定转矩 $\frac{T_{max}}{T_N}$	重量 Kg
同步转速 1500 r/min										
YE4-63M1-4	0.12	0.45	1310	65.8	0.72	0.87	2.1	4.4	2.2	--
YE4-63M2-4	0.18	0.64	1310	70.9	0.73	1.31	2.1	4.4	2.2	--
YE4-71M1-4	0.25	0.81	1330	74.5	0.73	1.80	2.1	5.2	2.2	--
YE4-71M2-4	0.37	1.1	1330	79.3	0.74	2.66	2.1	5.2	2.2	--
YE4-80M1-4	0.55	1.4	1430	83.8	0.74	3.67	2.3	6.5	2.3	14.5
YE4-80M2-4	0.75	1.8	1430	85.7	0.74	5.01	2.3	6.6	2.3	15
YE4-90S-4	1.1	2.6	1430	87.2	0.75	7.35	2.3	6.8	2.3	19
YE4-90L-4	1.5	3.5	1430	88.2	0.76	10.0	2.3	7.0	2.3	23
YE4-100L1-4	2.2	4.8	1440	89.5	0.79	14.6	2.3	7.6	2.3	30
YE4-100L2-4	3	6.3	1440	90.4	0.80	19.9	2.3	7.6	2.3	33
YE4-112M-4	4	8.4	1455	91.1	0.80	26.3	2.2	7.8	2.3	43
YE4-132S-4	5.5	11.2	1465	91.9	0.80	35.9	2.0	7.9	2.3	60
YE4-132M-4	7.5	15.0	1465	92.6	0.81	48.9	2.0	7.5	2.3	69
YE4-160M-4	11	21.5	1470	93.3	0.83	71.5	2.0	7.7	2.3	107
YE4-160L-4	15	28.8	1470	93.9	0.84	97.4	2.0	7.8	2.3	130
YE4-180M-4	18.5	35.3	1470	94.2	0.85	120	2.0	7.8	2.3	162
YE4-180L-4	22	41.8	1470	94.5	0.85	143	2.0	7.8	2.3	175
YE4-200L-4	30	56.6	1475	94.9	0.85	194	2.0	7.3	2.3	227
YE4-225S-4	37	69.6	1480	95.2	0.85	239	2.0	7.4	2.3	282
YE4-225M-4	45	84.4	1480	95.4	0.85	290	2.0	7.4	2.3	315
YE4-250M-4	55	103	1485	95.7	0.86	354	2.0	7.4	2.3	390
YE4-280S-4	75	136	1490	96.0	0.87	481	2.0	6.7	2.3	525
YE4-280M-4	90	163	1490	96.1	0.88	577	2.0	6.9	2.3	590
YE4-315S-4	110	197	1490	96.3	0.89	705	2.0	7.0	2.2	900
YE4-315M-4	132	236	1490	96.4	0.89	846	2.0	7.0	2.2	1000
YE4-315L1-4	160	285	1490	96.6	0.90	1026	2.0	7.1	2.2	1070
YE4-315L-4	185	329	1490	96.7	0.90	1186	2.0	7.1	2.2	--
YE4-315L2-4	200	352	1490	96.7	0.90	1282	2.0	7.1	2.2	1140
YE4-315L3-4	220	387	1490	96.7	0.90	1410	2.0	7.1	2.2	--
YE4-355M1-4	220	387	1490	96.7	0.90	1410	2.0	7.1	2.2	--
YE4-355M-4	250	440	1495	96.7	0.90	1597	2.0	7.1	2.2	1760
YE4-355L1-4	280	492	1495	96.7	0.90	1789	2.0	7.1	2.2	--
YE4-355L-4	315	554	1495	96.7	0.90	2012	2.0	7.1	2.2	1920
YE4-355L2-4	355	638	1495	96.7	0.88	2268	1.7	7.0	2.2	--
YE4-355L3-4	375	674	1495	96.7	0.88	2395	1.7	7.0	2.2	--

性能数据 Performance Data

Rated Voltage: 380V FUNDAMENTAL FREQUENCY: 50HZ

额定电压: 380V 基频: 50HZ

型号 motor type	功率 KW	额定 电流 A	转速 r/min	效率 Eff.%	功率 因数 P.F	额定 转矩 N.m	堵转转矩 额定转矩 $\frac{T_{st}}{T_N}$	堵转电流 额定电流 $\frac{I_{st}}{I_N}$	最大转矩 额定转矩 $\frac{T_{max}}{T_N}$	重量 Kg
同步转速 1000r/min										
YE4-71M1-6	0.18	0.76	850	63.9	0.65	2.02	1.9	4.0	2.0	--
YE4-71M2-6	0.25	0.97	850	68.6	0.67	2.81	1.9	4.0	2.0	--
YE4-80M1-6	0.37	1.2	910	73.5	0.69	3.88	1.9	5.5	2.0	15.5
YE4-80M2-6	0.55	1.6	925	77.2	0.69	5.68	1.9	5.8	2.1	16.5
YE4-90S-6	0.75	2.0	945	82.7	0.70	7.58	2.0	6.0	2.1	20
YE4-90L-6	1.1	2.8	950	84.5	0.70	11.1	2.0	6.0	2.1	24
YE4-100L-6	1.5	3.8	950	85.9	0.71	15.1	2.0	6.5	2.1	29
YE4-112M-6	2.2	5.4	965	87.4	0.71	21.8	2.0	6.6	2.1	37
YE4-132S-6	3	7.2	975	88.6	0.71	29.4	1.9	6.8	2.1	53
YE4-132M1-6	4	9.5	975	89.5	0.72	39.2	1.9	6.8	2.1	64
YE4-132M2-6	5.5	12.7	975	90.5	0.72	53.9	1.9	7.0	2.1	72
YE4-160M-6	7.5	16.2	980	91.3	0.76	73.1	1.9	7.0	2.1	97
YE4-160L-6	11	23.1	980	92.3	0.77	107	1.9	7.2	2.1	126
YE4-180L-6	15	30.9	980	92.9	0.80	146	1.9	7.3	2.1	166
YE4-200L1-6	18.5	37.8	985	93.4	0.80	179	1.9	7.3	2.1	205
YE4-200L2-6	22	44.8	985	93.7	0.81	213	1.9	7.4	2.1	220
YE4-225M-6	30	59.1	985	94.2	0.82	291	1.9	6.9	2.1	290
YE4-250M-6	37	71.7	985	94.5	0.83	359	1.9	7.1	2.1	370
YE4-280S-6	45	85.8	990	94.8	0.83	434	1.9	7.3	2.0	490
YE4-280M-6	55	103	990	95.1	0.84	531	1.9	7.3	2.0	540
YE4-315S-6	75	143	990	95.4	0.84	723	1.9	6.6	2.0	850
YE4-315M-6	90	170	990	95.6	0.85	868	1.9	6.7	2.0	960
YE4-315L1-6	110	207	990	95.8	0.85	1061	1.9	6.7	2.0	1060
YE4-315L2-6	132	244	990	96.0	0.86	1273	1.9	6.8	2.0	1120
YE4-315L3-6	160	296	990	96.2	0.86	1543	1.9	6.8	2.0	--
YE4-355M1-6	160	296	995	96.2	0.86	1536	1.9	6.8	2.0	1680
YE4-355M-6	185	342	995	96.2	0.86	1776	1.9	6.8	2.0	--
YE4-355M2-6	200	365	995	96.3	0.86	1920	1.9	6.8	2.0	1780
YE4-355L1-6	220	401	995	96.4	0.86	2112	1.9	6.8	2.0	--
YE4-355L-6	250	456	995	96.5	0.86	2399	1.9	6.8	2.0	1950
YE4-355L2-6	280	510	995	96.6	0.86	2687	1.9	6.8	2.0	--
YE4-355L3-6	315	581	995	96.6	0.82	3023	1.9	6.8	2.0	--

技术数据 Technical data 4极-同步转速1500r/min 50Hz 4 pole-1500 rpm synchronous speed 50Hz

型号 motor type	功率 KW	额定 电流 A	转速 r/min	效率 Eff.%	功率 因数 P.F	额定 转矩 N.m	堵转转矩 额定转矩 $\frac{T_{st}}{T_N}$	堵转电流 额定电流 $\frac{I_{st}}{I_N}$	最大转矩 额定转矩 $\frac{T_{max}}{T_N}$	重量 Kg
同步转速 750r/min										
YE4-80M1-8	0.18	0.80	700	59.7	0.60	2.46	1.8	3.3	1.9	15.5
YE4-80M2-8	0.25	1.1	700	65.1	0.60	3.41	1.8	3.3	1.9	16.5
YE4-90S-8	0.37	1.4	695	70.3	0.60	5.08	1.8	4.0	1.9	20
YE4-90L-8	0.55	2.0	695	75	0.60	7.56	1.8	4.0	2.0	24
YE4-100L1-8	0.75	2.3	705	78.4	0.66	10.2	1.8	4.0	2.0	30
YE4-100L2-8	1.1	3.2	705	80.8	0.67	14.9	1.8	5.0	2.0	32
YE4-112M-8	1.5	4.2	715	82.6	0.69	20.0	1.8	5.0	2.0	40
YE4-132S-8	2.2	5.9	730	84.5	0.70	28.8	1.8	6.0	2.2	52
YE4-132M-8	3	7.6	730	85.9	0.70	39.2	1.8	6.0	2.2	63
YE4-160M1-8	4	9.8	725	87.1	0.71	52.7	1.9	6.0	2.2	90
YE4-160M2-8	5.5	13.1	725	88.3	0.72	72.4	1.9	6.0	2.2	100
YE4-160L-8	7.5	17.4	730	89.3	0.74	98.1	1.9	6.0	2.2	124
YE4-180L-8	11	25.0	725	90.4	0.74	145	1.9	6.5	2.2	160
YE4-200L-8	15	33.2	730	91.2	0.75	196	2.0	6.6	2.2	212
YE4-225S-8	18.5	40.6	735	91.7	0.75	240	2.0	6.6	2.2	255
YE4-225M-8	22	46.8	735	92.1	0.76	286	2.0	6.6	2.2	285
YE4-250M-8	30	62.6	735	92.7	0.77	390	1.9	6.5	2.0	370
YE4-280S-8	37	76.5	740	93.1	0.78	478	1.8	6.6	2.0	485
YE4-280M-8	45	92.6	740	93.4	0.78	581	1.8	6.6	2.0	540
YE4-315S-8	55	110	740	93.7	0.80	710	1.8	6.6	2.0	820
YE4-315M-8	75	150	740	94.2	0.80	968	1.8	6.2	2.0	970
YE4-315L1-8	90	176	740	94.4	0.81	1161	1.8	6.4	2.0	1050
YE4-315L2-8	110	215	740	94.7	0.81	1420	1.8	6.4	2.0	1130
YE4-355M1-8	132	257	745	94.9	0.81	1692	1.8	6.4	2.0	1720
YE4-355M2-8	160	312	745	95.1	0.82	2051	1.8	6.4	2.0	1800
YE4-355L1-8	185	360	745	95.3	0.82	2371	1.8	6.4	2.0	--
YE4-355L-8	200	385	745	95.4	0.82	2564	1.8	6.4	2.0	1950
YE4-355L2-8	220	423	745	95.4	0.82	2820	1.8	6.4	2.0	--
YE4-355L3-8	250	481	745	95.4	0.80	3205	1.8	6.5	2.0	--
同步转速 600r/min										
YE4-315S-10	45	99	590	93.0	0.74	728	1.5	6.2	2.0	830
YE4-315M-10	55	120	590	93.5	0.74	890	1.5	6.2	2.0	940
YE4-315L1-10	75	161	590	94	0.75	1214	1.5	5.8	2.0	1070
YE4-315L2-10	90	190	590	94.4	0.76	1457	1.5	5.9	2.0	1150
YE4-355M1-10	110	228	595	94.8	0.77	1766	1.3	6.0	2.0	1660
YE4-355M2-10	132	273	595	95.2	0.77	2119	1.3	6.0	2.0	1780
YE4-355L1-10	160	331	595	95.2	0.77	2568	1.3	6.0	2.0	--
YE4-355L-10	185	383	595	95.2	0.77	2969	1.3	6.0	2.0	1950
YE4-355L2-10	200	414	595	95.2	0.77	3210	1.3	6.0	2.0	--



YE5

YE5系列超高效率三相异步电动机 PREMIUM EFFICIENCY THREE-PHASE ASYNCHRONOUS MOTOR

YE5系列超高效率三相异步电动机符合 GB 18613-2020《中小型三相异步电动机能效限定值及能效等级》中规定二级效率标准。同时，符合 IEC60034-30-2008标准的IE4能效等级。

其提高效率设计，符合国家对生产制造业提出节能降耗的要求。

YE5系列电机的安装尺寸符合IEC60034标准。具有结构合理，外形美观，效率高，噪音低，防护等级、绝缘等级高等优点，可广泛应用于风机、水泵、机床、压缩机运输机械等驱动各种通用机械设备，也可在石油、化工、钢铁、矿山等其它环境比较恶劣的场所使用。

The YE5 series premium efficiency three-phase asynchronous motor is in line with IE3 efficiency standard in the provisions of IEC60034-30-2008. And the improvement of the efficiency in its design is in line with the state's requirements on the energy saving and consumption reducing of the manufacturing sector.

YE5 series premium efficiency three-phase asynchronous motor with the mounting dimension in accordance with standard IEC60034, It has good features like optimum structure, attractive appearance, low noise, high efficiency, high protection class as well as high insulation class. YE4 series premium efficiency three-phase asynchronous motor can be widely used in various kinds of general use machineries like fans, pumps, machine tools, compressors, transportation and so on, and can also be used in the hazardous areas with oil and chemical, steel plants, mining industry.

详细说明 Details

现场条件 Site condition

YE4系列超高效率三相异步电动机适用于于大多数的场合及环境。电动机标准工作条件为-20℃到+40℃，海拔1000米。
YE4 series ultra-high efficiency three-phase induction motors are suitable for most situations and environments. The standard operating conditions of the motor range from -20 °C to +40 °C with an altitude of 1000 meters.

温升和绝缘 Temperature rise and insulation

电动机按F级绝缘设计(155℃)，按B级绝缘考核(80K)，电动机的使用寿命和可靠性得到保证。
The motor is designed according to Class F insulation (155 °C) and tested according to Class B insulation (80K). The service life and reliability of the motor are guaranteed.

冷却和通风 Cooling and ventilation

标准冷却方式为全封闭自扇冷(TEFC)。标准电机装有辅助式塑料风扇。符合IEC 60034-6中IC411的规定。
The Standard cooling mode is totally enclosed self-fan cooling (TEFC). Standard Motors are equipped with an auxiliary flow plastic fan. Comply with IC411 in IEC 60034-6.

防护等级 Protection level

电动机的防护等级为IP55，可用于含尘或潮湿环境。也可根据客户要求提供更高防护等级的电动机。
The protection grade of the motor is IP55 and can be used in dusty or wet environment. Higher Protection Grade Motors are also available upon request.

电机保护 Motor protection

可根据要求安装PTC、PT100等绕组和轴承测温及保护装置。
PTC, PT100 and other windings and bearings can be installed according to the requirements of temperature and protection devices.

电压、频率 Voltage, frequency

标准电机为380V/50Hz。可设计200-660V范围内任意电压的50Hz的电动机。在供电电压偏离额定电压±5%的情况下，仍能良好运行。
The Standard Motor is 380V/50Hz. Can Be designed in the range of 200-660V arbitrary voltage 50Hz motor. When the supply voltage deviates from the rated voltage by ± 5%, it can still run well.

振动 Vibration

YE4系列超高效率三相异步电动机在空载时振动速度等级符合A级。特殊要求时，可提供B级电动机。
YE4 series ultra-high efficiency three-phase induction motors in no-load Vibration Speed Class A. Class B motors are available upon special request.

接线盒位置 Junction box location

接线盒在机座上方或右侧为标准YE4系列电机。
The junction box is a standard YE4 series motor above or to the right of the frame.

质量保证 Quality Assurance

从产品设计到产品出厂，遵循ISO9001质量管理体系，严格遵守质量程序。
From the product design to the product factory, in accordance with the ISO9001 quality certification system, strict compliance with quality procedures.

性能数据 Performance Data

Rated Voltage: 380V FUNDAMENTAL FREQUENCY: 50HZ

额定电压: 380V 基频: 50HZ

型号 motor type	功率 KW	额定 电流 A	转速 r/min	效率 Eff.%	功率 因数 P.F	额定 转矩 N.m	堵转转矩 额定转矩 $\frac{T_{st}}{T_N}$	堵转电流 额定电流 $\frac{I_{st}}{I_N}$	最大转矩 额定转矩 $\frac{T_{max}}{T_N}$	重量 Kg
同步转速 3000 r/min										
YE5-80M1-2	0.75	1.7	2870	86.3	0.82	2.50	2.2	7.0	2.3	--
YE5-80M2-2	1.1	2.4	2875	87.8	0.83	3.65	2.2	7.3	2.3	--
YE5-90S-2	1.5	3.2	2880	88.9	0.84	4.97	2.2	7.6	2.3	--
YE5-90L-2	2.2	4.6	2880	90.2	0.85	7.30	2.2	7.6	2.3	--
YE5-100L-2	3	6.0	2880	91.1	0.87	9.95	2.2	7.8	2.3	--
YE5-112M-2	4	7.8	2915	91.8	0.88	13.1	2.2	8.3	2.3	--
YE5-132S1-2	5.5	10.6	2935	92.6	0.88	17.9	2.0	8.3	2.3	--
YE5-132S2-2	7.5	14.4	2930	93.3	0.88	24.4	2.0	7.9	2.3	--
YE5-160M1-2	11	20.6	2950	94.0	0.89	35.6	2.0	8.1	2.3	--
YE5-160M2-2	15	27.9	2945	94.5	0.89	48.6	2.0	8.1	2.3	--
YE5-160L-2	18.5	34.2	2945	94.9	0.89	60.0	2.0	8.2	2.3	--
YE5-180M-2	22	40.5	2950	95.1	0.89	71.2	2.0	8.2	2.3	--
YE5-200L1-2	30	54.9	2965	95.5	0.89	96.6	2.0	7.6	2.3	--
YE5-200L2-2	37	67.4	2965	95.8	0.89	119	2.0	7.6	2.3	--
YE5-225M-2	45	80.8	2965	96.0	0.90	145	2.0	7.7	2.3	--
YE5-250M-2	55	98.5	2975	96.2	0.90	177	2.0	7.7	2.3	--
YE5-280S-2	75	134	2975	96.5	0.90	241	1.8	7.1	2.3	--
YE5-280M-2	90	160	2975	96.6	0.90	289	1.8	7.1	2.3	--
YE5-315S-2	110	195	2985	96.8	0.90	352	1.8	7.1	2.3	--
YE5-315M-2	132	234	2985	96.9	0.90	422	1.8	7.1	2.3	--
YE5-315L1-2	160	279	2985	97.0	0.91	512	1.8	7.2	2.3	--
YE5-315L-2	185	323	2985	97.2	0.91	592	1.8	7.2	2.3	--
YE5-315L2-2	200	349	2985	97.2	0.91	640	1.8	7.2	2.2	--
YE5-315L3-2	220	383	2985	97.2	0.91	704	1.8	7.2	2.2	--
YE5-355M1-2	220	383	2985	97.2	0.91	704	1.8	7.2	2.2	--
YE5-355M-2	250	436	2985	97.2	0.91	800	1.6	7.2	2.2	--
YE5-355L1-2	280	488	2985	97.2	0.91	896	1.6	7.2	2.2	--
YE5-355L-2	315	549	2985	97.2	0.91	1008	1.6	7.2	2.2	--
YE5-355L2-2	355	619	2985	97.2	0.91	1136	1.6	7.2	2.2	--
YE5-355L3-2	375	654	2985	97.2	0.91	1200	1.6	7.2	2.2	--

性能数据 Performance Data

Rated Voltage: 380V FUNDAMENTAL FREQUENCY: 50HZ

额定电压: 380V 基频: 50HZ

型号 motor type	功率 KW	额定 电流 A	转速 r/min	效率 Eff.%	功率 因数 P.F	额定 转矩 N.m	堵转转矩 额定转矩 $\frac{T_{st}}{T_N}$	堵转电流 额定电流 $\frac{I_{st}}{I_N}$	最大转矩 额定转矩 $\frac{T_{max}}{T_N}$	重量 Kg
同步转速 1000r/min										
YE5-90S-6	0.75	2.0	945	85.7	0.71	7.58	2.0	--	--	--
YE5-90L-6	1.1	2.8	950	87.2	0.73	11.1	2.0	--	--	--
YE5-100L-6	1.5	3.8	950	88.4	0.73	15.1	2.0	--	--	--
YE5-112M-6	2.2	5.4	965	89.7	0.74	21.8	2.0	--	--	--
YE5-132S-6	3	7.2	975	90.6	0.74	29.4	1.9	--	--	--
YE5-132M1-6	4	9.5	975	91.4	0.74	39.2	1.9	--	--	--
YE5-132M2-6	5.5	12.7	975	92.2	0.75	53.9	1.9	--	--	--
YE5-160M-6	7.5	16.2	980	92.9	0.79	73.1	1.9	--	--	--
YE5-160L-6	11	23.1	980	93.7	0.80	107	1.9	--	--	--
YE5-180L-6	15	30.9	980	94.3	0.78	146	1.9	--	--	--
YE5-200L1-6	18.5	37.8	985	94.6	0.81	179	1.9	--	--	--
YE5-200L2-6	22	44.8	985	94.9	0.81	213	1.9	--	--	--
YE5-225M-6	30	59.1	985	95.3	0.83	291	1.9	--	--	--
YE5-250M-6	37	71.7	985	95.6	0.84	359	1.9	--	--	--
YE5-280S-6	45	85.8	990	95.8	0.85	434	1.9	--	--	--
YE5-280M-6	55	103	990	96.0	0.86	531	1.9	--	--	--
YE5-315S-6	75	143	990	96.3	0.84	723	1.9	--	--	--
YE5-315M-6	90	170	990	96.5	0.85	868	1.9	--	--	--
YE5-315L1-6	110	207	990	96.6	0.85	1061	1.9	--	--	--
YE5-315L2-6	132	244	990	96.8	0.86	1273	1.9	--	--	--
YE5-315L3-6	160	296	990	96.9	0.86	1543	1.9	--	--	--
YE5-355M1-6	160	296	995	96.9	0.86	1536	1.9	--	--	--
YE5-355M-6	185	342	995	97.0	0.86	1776	1.9	--	--	--
YE5-355M2-6	200	365	995	97.0	0.87	1920	1.9	--	--	--
YE5-355L1-6	220	401	995	97.0	0.87	2112	1.9	--	--	--
YE5-355L-6	250	456	995	97.0	0.87	2399	1.9	--	--	--

技术数据 Technical data 4极-同步转速1500r/min 50Hz 4 pole-1500 rpm synchronous speed 50Hz

型号 motor type	功率 KW	额定 电流 A	转速 r/min	效率 Eff.%	功率 因数 P.F	额定 转矩 N.m	堵转转矩 额定转矩 $\frac{T_{st}}{T_N}$	堵转电流 额定电流 $\frac{I_{st}}{I_N}$	最大转矩 额定转矩 $\frac{T_{max}}{T_N}$	重量 Kg
同步转速 1500 r/min										
YE5-80M2-4	0.75	1.8	1430	88.2	0.73	5.01	2.3	6.6	2.3	--
YE5-90S-4	1.1	2.6	1430	89.5	0.76	7.35	2.3	6.8	2.3	--
YE5-90L-4	1.5	3.5	1430	90.4	0.77	10.0	2.3	7.0	2.3	--
YE5-100L1-4	2.2	4.8	1440	91.4	0.81	14.6	2.3	7.6	2.3	--
YE5-100L2-4	3	6.3	1440	92.1	0.82	19.9	2.3	7.6	2.3	--
YE5-112M-4	4	8.4	1455	92.8	0.82	26.3	2.2	7.8	2.3	--
YE5-132S-4	5.5	11.2	1465	93.4	0.83	35.9	2.0	7.9	2.3	--
YE5-132M-4	7.5	15.0	1465	94.0	0.84	48.9	2.0	7.5	2.3	--
YE5-160M-4	11	21.5	1470	94.6	0.85	71.5	2.0	7.7	2.3	--
YE5-160L-4	15	28.8	1470	95.1	0.83	97.4	2.0	7.8	2.3	--
YE5-180M-4	18.5	35.3	1470	95.3	0.86	120	2.0	7.8	2.3	--
YE5-180L-4	22	41.8	1470	95.5	0.84	143	2.0	7.8	2.3	--
YE5-200L-4	30	56.6	1475	95.9	0.86	194	2.0	7.3	2.3	--
YE5-225S-4	37	69.6	1480	96.1	0.86	239	2.0	7.4	2.3	--
YE5-225M-4	45	84.4	1480	96.3	0.86	290	2.0	7.4	2.3	--
YE5-250M-4	55	103	1485	96.5	0.86	354	2.0	7.4	2.3	--
YE5-280S-4	75	136	1490	96.7	0.86	481	2.0	6.7	2.3	--
YE5-280M-4	90	163	1490	96.9	0.87	577	2.0	6.9	2.3	--
YE5-315S-4	110	197	1490	97.0	0.88	705	2.0	7.0	2.2	--
YE5-315M-4	132	236	1490	97.1	0.89	846	2.0	7.0	2.2	--
YE5-315L1-4	160	285	1490	97.2	0.89	1026	2.0	7.1	2.2	--
YE5-315L-4	185	329	1490	97.4	0.89	1186	2.0	7.1	2.2	--
YE5-315L2-4	200	352	1490	97.4	0.90	1282	2.0	7.1	2.2	--
YE5-315L3-4	220	387	1490	97.4	0.90	1410	2.0	7.1	2.2	--
YE5-355M1-4	220	387	1490	97.4	0.90	1410	2.0	7.1	2.2	--
YE5-355M-4	250	440	1495	97.4	0.89	1597	2.0	7.1	2.2	--
YE5-355L1-4	280	492	1495	97.4	0.90	1789	2.0	7.1	2.2	--
YE5-355L-4	315	554	1495	97.4	0.90	2012	2.0	7.1	2.2	--

技术数据 Technical data 4极-同步转速1500r/min 50Hz 4 pole-1500 rpm synchronous speed 50Hz

型号 motor type	功率 KW	额定 电流 A	转速 r/min	效率 Eff.%	功率 因数 P.F	额定 转矩 N.m	堵转转矩 额定转矩 $\frac{T_{st}}{T_N}$	堵转电流 额定电流 $\frac{I_{st}}{I_N}$	最大转矩 额定转矩 $\frac{T_{max}}{T_N}$	重量 Kg
同步转速 750r/min										
YE5-100L1-8	0.75	2.3	705	82.0	0.67	10.2	1.8	4.0	2.0	--
YE5-100L2-8	1.1	3.2	705	84.0	0.69	14.9	1.8	5.0	2.0	--
YE5-112M-8	1.5	4.2	715	85.5	0.70	20.0	1.8	5.0	2.0	--
YE5-132S-8	2.2	5.9	730	87.2	0.71	28.8	1.8	6.0	2.2	--
YE5-132M-8	3	7.6	730	88.4	0.73	39.2	1.8	6.0	2.2	--
YE5-160M1-8	4	9.8	725	89.4	0.73	52.7	1.9	6.0	2.2	--
YE5-160M2-8	5.5	13.1	725	90.4	0.74	72.4	1.9	6.0	2.2	--
YE5-160L-8	7.5	17.4	730	91.3	0.75	98.1	1.9	6.0	2.2	--
YE5-180L-8	11	25.0	725	92.2	0.75	145	1.9	6.5	2.2	--
YE5-200L-8	15	33.2	730	92.9	0.76	196	2.0	6.6	2.2	--
YE5-225S-8	18.5	40.6	735	93.3	0.76	240	2.0	6.6	2.2	--
YE5-225M-8	22	46.8	735	93.6	0.78	286	2.0	6.6	2.2	--
YE5-250M-8	30	62.6	735	94.1	0.79	390	1.9	6.5	2.0	--
YE5-280S-8	37	76.5	740	94.4	0.79	478	1.8	6.6	2.0	--
YE5-280M-8	45	92.6	740	94.7	0.79	581	1.8	6.6	2.0	--
YE5-315S-8	55	110	740	94.9	0.81	710	1.8	6.6	2.0	--
YE5-315M-8	75	150	740	95.3	0.81	968	1.8	6.2	2.0	--
YE5-315L1-8	90	176	740	95.5	0.82	1161	1.8	6.4	2.0	--
YE5-315L2-8	110	215	740	95.7	0.82	1420	1.8	6.4	2.0	--
YE5-355M1-8	132	257	745	95.9	0.82	1692	1.8	6.4	2.0	--
YE5-355M2-8	160	312	745	96.1	0.82	2051	1.8	6.4	2.0	--
YE5-355L1-8	185	360	745	96.3	0.82	2371	1.8	6.4	2.0	--
YE5-355L-8	200	385	745	96.3	0.83	2564	1.8	6.4	2.0	--



YEJ/YDEJ

YEJ/YDEJ 系列电磁制动三相异步电动机 ELECTROMAGNETIC BRAKE THREE-PHASE ASYNCHRONOUS MOTOR

YEJ/YDEJ 系列电磁制动电动机是YEJ系列的改进产品,符合国家标准JB/T6456-2010要求,电气性能满足YE 系列电机技术标准.

该系列制动电动机是在电机非拖动轴端装有电磁制动器,当电机失电时,电磁制动器的制动盘自动与电机后盖压合,产生摩擦制动力矩,使电机停转,空载制动时间随机座号由小到大,为0.15~0.45S.制动器电源必须拖动电机.电源同步进行.YEJ 系列电机广泛应用于机械加工机床和输送机械及包装、木工、食品、化工、纺织、建筑、商店、卷门等机械作为驱动力。

YEJ series electromagnetic brake three-phase asynchronous motors are improved products of YEJ series, it is in accordance with JB/T6456-2010 requirements, and its electrical performance is in accord with YE series technical standard. The electric power of the controller should be synchronized with the electric power of the motor.

The electric motors are equipped the electromagnetic brake on the non-shaft end, when electricity off, retarding disc will automatically press in end-shield which produce friction brake torque and stop the running of motor, the no-load brake duration is changed with the frame size of the motor, the range is 0.15-0.45 seconds. This kind of motor is considered as the driving force of various machinery and widely used in mechanical workout machine tool, transport machinery, package, woodworking, food, chemical engineering, textile, construction, shop, roll door machinery.

产品相关参数:

机座中心高:63~160mm
 控制器电源:机座中心高 $H \leq 100$ mm, 交流220V (整流后99V)
 机座中心高: $H \geq 112$ mm, 交流380V (整流后170V)
 功率范围:0.12 ~ 45kW
 额定电压:380V (其他电压需另订协议)
 额定频率:50Hz (或60Hz)
 防护等级:IP54 (或IP55)
 绝缘等级:B/F级
 工作制:S1

Technical Data:

Centre height of frame:63~160mm
 Controller's power:
 centre height of frame: ≤ 100 mm, AC220V
 (after commutate 99V)
 centre height of frame: ≥ 112 mm, AC380V
 (after commutate 170V)
 Power range:0.12~45kW
 Rated voltage:380V or order
 Rated frequency:50Hz or 60Hz
 Protection class: IP54 (or IP55)
 Insulation class:B/F Duty type:SI

性能数据 Performance Data

Rated Voltage: 380V FUNDAMENTAL FREQUENCY: 50HZ

额定电压: 380V 基频: 50HZ

型号 Type	功率 kW	转速 r/min	电流 A	效率 Eff η%	功率因数 P.F	静制 动力矩 (Nm)	空载制 动时间 (S)	励磁 功率 (W)	堵转电流 额定电流 $\frac{I_{st}}{I_n}$	堵转转矩 额定转矩 $\frac{T_{st}}{T_n}$	最大转矩 额定转矩 $\frac{T_{max}}{T_n}$	重量 (kg)
同步转速 3000r/min												
YEJ 631-2	0.18	2720	0.53	65.9	0.80	4	0.20	18	5.5	2.2	2.2	12
YEJ 632-2	0.25	2720	0.69	69.7	0.81	4	0.20	18	5.5	2.2	2.2	13
YEJ 711-2	0.37	2740	0.99	73.8	0.81	4	0.20	18	6.1	2.2	2.2	14
YEJ 712-2	0.55	2740	1.40	77.8	0.82	4	0.20	18	6.1	2.2	2.3	15
YEJ 801-2	0.75	2845	1.83	80.7	0.83	7.5	0.20	30	6.1	2.2	2.3	17
YEJ 802-2	1.1	2840	2.58	82.7	0.84	7.5	0.20	30	7.0	2.2	2.3	18
YEJ 90S-2	1.5	2840	3.43	84.2	0.84	15	0.20	50	7.0	2.2	2.3	23
YEJ 90L-2	2.2	2840	4.85	85.9	0.85	15	0.20	50	7.0	2.2	2.3	26
YEJ 100L-2	3.0	2860	6.31	87.1	0.87	30	0.20	65	7.5	2.2	2.3	37
YEJ 112M-2	4.0	2880	8.10	88.1	0.88	40	0.25	90	7.5	2.2	2.3	45
YEJ 132S1-2	5.5	2900	11.0	89.2	0.88	75	0.25	90	7.5	2.2	2.3	59
YEJ 132S2-2	7.5	2900	14.9	90.1	0.88	75	0.25	90	7.5	2.2	2.3	72
YEJ 160M1-2	11	2030	21.3	91.2	0.89	150	0.35	150	7.5	2.2	2.3	120
YEJ 160M2-2	15	2930	28.8	91.9	0.89	150	0.35	150	7.5	2.2	2.3	130
YEJ 160L-2	18.5	2930	34.7	92.4	0.90	150	0.35	150	7.5	2.2	2.3	149

性能数据 Performance Data

Rated Voltage: 380V FUNDAMENTAL FREQUENCY: 50HZ
额定电压: 380V 基频: 50HZ

型号 Type	功率 kW	转速 r/min	电流 A	效率 Eff η%	功率因数 P.F	静制 动力矩 (Nm)	空载制 动时间 (S)	励磁 功率 (W)	堵转电流 额定电流 $\frac{I_{st}}{I_n}$	堵转转矩 额定转矩 $\frac{T_{st}}{T_n}$	最大转矩 额定转矩 $\frac{T_{max}}{T_n}$	重量 (kg)
同步转速 1500r/min												
YEJ 631-4	0.12	1310	0.44	64.8	0.72	4	0.20	18	4.4	2.1	2.2	13
YEJ 632-4	0.18	1310	0.62	69.9	0.73	4	0.20	18	4.4	2.1	2.2	14
YEJ 711-4	0.25	1330	0.79	73.5	0.74	4	0.20	18	5.2	2.1	2.2	15
YEJ 712-4	0.37	1330	1.12	77.3	0.75	4	0.20	18	5.2	2.1	2.2	16
YEJ 801-4	0.55	1390	1.57	80.8	0.75	7.5	0.20	30	5.2	2.4	2.3	17
YEJ 802-4	0.75	1380	2.03	82.5	0.76	7.5	0.20	30	6.0	2.3	2.3	18
YEJ 90S-4	1.1	1390	0.89	84.1	0.77	15	0.20	50	6.0	2.3	2.3	22
YEJ 90L-4	1.5	1390	3.70	85.3	0.79	15	0.20	50	6.0	2.3	2.3	27
YEJ 100L1-4	2.2	1410	5.16	86.7	0.81	30	0.20	65	7.0	2.3	2.3	34
YEJ 100L2-4	3.0	1410	6.78	87.7	0.82	30	0.20	65	7.0	2.3	2.3	38
YEJ 112M-4	4.0	1435	8.80	88.6	0.82	40	0.25	90	7.0	2.3	2.3	48
YEJ 132S-4	5.5	1440	11.7	89.6	0.83	75	0.25	90	7.0	2.3	2.3	71
YEJ 132M-4	7.5	1440	15.6	90.4	0.84	75	0.25	90	7.0	2.3	2.3	83
YEJ 160M-4	11	1460	22.3	91.4	0.84	150	0.35	150	7.0	2.2	2.3	128
YEJ 160L-4	15	1460	30.1	92.1	0.85	150	0.35	150	7.5	2.2	2.3	142

性能数据 Performance Data

Rated Voltage: 380V FUNDAMENTAL FREQUENCY: 50HZ

额定电压: 380V 基频: 50HZ

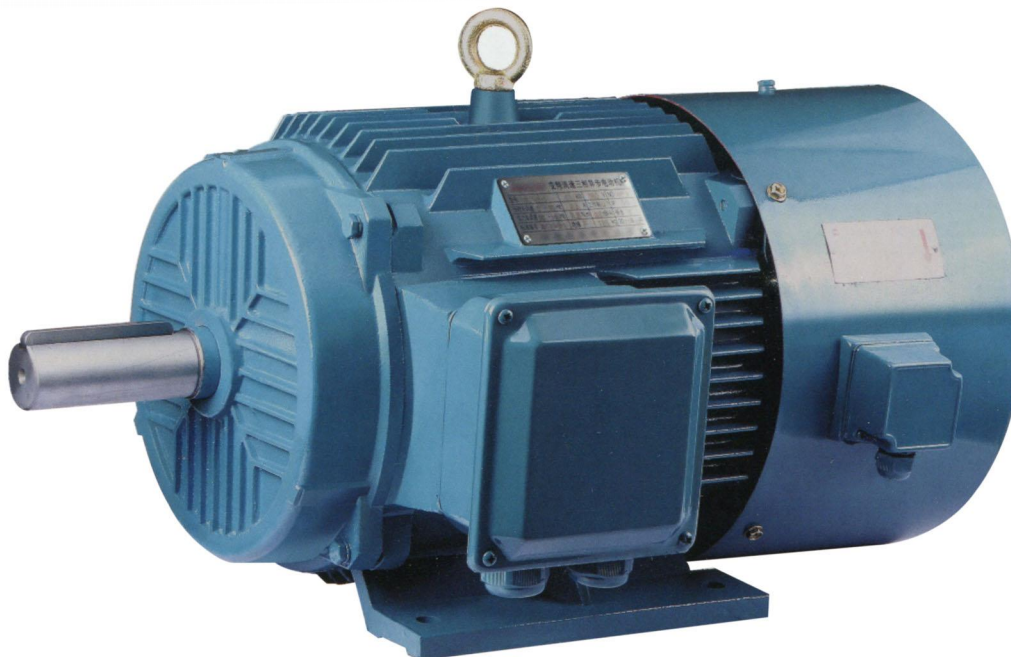
型号 Type	功率 kW	转速 r/min	电流 A	效率 Eff η%	功率因数 P.F	静制 动力矩 (Nm)	空载制 动时间 (S)	励磁 功率 (W)	堵转电流 额定电流 $\frac{I_{st}}{I_n}$	堵转转矩 额定转矩 $\frac{T_{st}}{T_n}$	最大转矩 额定转矩 $\frac{T_{max}}{T_n}$	重量 (kg)
同步转速 1000r/min												
YEJ 711-6	0.18	850	0.74	63.9	0.66	4	0.20	18	4.0	1.9	2.0	9.5
YEJ 712-6	0.25	850	0.95	68.6	0.68	4	0.20	18	4.0	1.9	2.0	11
YEJ 801-6	0.37	885	1.30	73.5	0.70	7.5	0.20	30	4.7	1.9	2.0	17
YEJ 802-6	0.55	885	1.79	77.2	0.72	7.5	0.20	30	4.7	1.9	2.1	19
YEJ 90S-6	0.75	910	2.29	78.9	0.72	15	0.20	50	5.5	2.0	2.1	22
YEJ 90L-6	1.1	910	3.18	81.0	0.73	15	0.20	50	5.5	2.0	2.1	28
YEJ 100L-6	1.5	920	3.94	82.5	0.75	30	0.20	65	5.5	2.0	2.1	34
YEJ 112M-6	2.2	935	5.60	84.3	0.76	40	0.25	90	6.5	2.0	2.1	42
YEJ 132S-6	3.0	960	7.40	85.6	0.76	75	0.25	90	6.5	2.1	2.1	68
YEJ 132M1-6	4.0	960	9.80	86.8	0.76	75	0.25	90	6.5	2.1	2.1	79
YEJ 132M2-6	5.5	960	12.9	88.0	0.77	75	0.25	90	6.5	2.1	2.1	87
YEJ 160M-6	7.5	970	17.0	89.1	0.77	150	0.35	150	6.5	2.0	2.1	122
YEJ 160L-6	11	970	24.2	90.3	0.78	150	0.35	150	6.5	2.0	2.1	141

性能数据 Performance Data

Rated Voltage: 380V FUNDAMENTAL FREQUENCY: 50HZ

额定电压: 380V 基频: 50HZ

型号 Type	功率 kW	转速 r/min	电流 A	效率 Eff η%	功率因数 P.F	静制 动力矩 (Nm)	空载制 动时间 (S)	励磁 功率 (W)	堵转电流 额定电流 $\frac{I_{st}}{I_n}$	堵转转矩 额定转矩 $\frac{T_{st}}{T_n}$	最大转矩 额定转矩 $\frac{T_{max}}{T_n}$	重量 (kg)
同步转速 750r/min												
YEJ 801-8	0.18	645	0.88	58.7	0.61	7.5	0.20	30	3.3	1.8	1.9	17
YEJ 802-8	0.25	645	1.15	64.1	0.61	7.5	0.20	30	3.3	1.8	1.9	19
YEJ 90S-8	0.37	670	1.49	69.3	0.61	15	0.20	50	4.0	1.8	1.9	23
YEJ 90L-8	0.55	680	2.18	73.0	0.61	15	0.20	50	4.0	1.8	2.0	25
YEJ 100L1-8	0.75	680	2.17	75.0	0.67	30	0.20	65	4.0	1.8	2.0	33
YEJ 100L2-8	1.1	680	2.39	77.7	0.69	30	0.20	65	5.0	1.8	2.0	38
YEJ 112M-8	1.5	690	4.50	79.7	0.69	40	0.25	90	5.0	1.8	2.0	50
YEJ 132S-8	2.2	705	6.00	81.9	0.71	75	0.25	90	6.0	1.8	2.0	63
YEJ 132M-8	3.0	705	7.90	83.5	0.73	75	0.25	90	6.0	1.8	2.0	79
YEJ 160M1-8	4.0	720	10.3	84.8	0.73	150	0.35	150	6.0	1.9	2.0	118
YEJ 160M2-8	5.5	720	13.6	86.2	0.74	150	0.35	150	6.0	2.0	2.0	119
YEJ 160L-8	7.5	720	17.8	87.3	0.75	150	0.35	150	6.0	2.0	2.0	145



YVF

YVF 系列变频调速三相异步电动机 INVERTER DUTY THREE-PHASE ASYNCHRONOUS MOTOR

YVF 系列变频调速三相异步电动机与电子变频器联合使用，可实现转速150~2750rpm (4极) 范围内的无级调速，是那些有大范围无级调速需求的机械设备的理想动力。广泛应用于交通运输、冶金、纺织、印染、化工、矿山、风机、水泵等行业。其电气性能和安装尺寸按国家标准JB/T7118-2004要求制造，并与国际IEC 标准接轨。

YVF series inverter duty three-phase asynchronous motor are suitable for running in frequency change and speed regulation system which the power is supplied by a frequency converter. This new series of product designed unitedly in the country can be mated with all kinds of SPWM frequency changer and speed regulation devices and is equipped with a separate cooling fan which ensure the motor for good cooling at various speed. They can be used in machine tool, metallugic industry, textile, printing and dyeing, transportation, chemical industry, mine and for seep regulation of fans and pumps.

产品相关参数:

机座中心高:80~355mm
功率范围:0.55~315kW
额定电压:380V (其他电压需另订协议)
额定频率:50Hz (或60Hz)
防护等级:IP54 (或IP55)
绝缘等级:F级
工作制: S1

Technical Data:

Centre height of frame: 80-355mm
Power range:0.55-315kW
Rated voltage:380V or order
Rated frequency:50Hz or 60Hz
Protection class:IP54 or IP55
Insulation class:F
Duty type: S1

性能数据 Performance Data

型号 Type	功率 kW	额定 电流 A	转速 r/min	效率 Eff. %	功率 因数 P.F	额定 转矩 N.m	重量 Kg	恒转矩调频范围 Constant Torque Frequency Range Hz	恒功率调频范围 Constant Output Frequency Range Hz
同步转速 3000 r/min									
YVF -80M1-2	0.75	1.83	2845	80.7	0.83	2.52	15	5-50	50-100
YVF -80M2-2	1.1	2.61	2845	82.7	0.84	3.69	16.5		
YVF -90S-2	1.5	3.46	2840	84.2	0.84	5.04	20		
YVF -90L-2	2.2	4.85	2840	85.9	0.85	7.40	24		
YVF -100L-2	3	6.34	2860	87.1	0.87	10.1	31		
YVF -112M-2	4	8.20	2880	88.1	0.88	13.3	38		
YVF -132S1-2	5.5	11.1	2900	89.2	0.88	18.1	58		
YVF -132S2-2	7.5	14.9	2900	90.1	0.88	24.7	62		
YVF -160M1-2	11	21.2	2930	91.2	0.89	35.9	103		
YVF -160M2-2	15	28.6	2930	91.9	0.89	48.9	112		
YVF -160L-2	18.5	34.7	2930	92.4	0.90	60.3	135		
YVF -180M-2	22	41.0	2940	92.7	0.90	71.5	165		
YVF -200L1-2	30	55.4	2950	93.3	0.90	97.0	215		
YVF -200L2-2	37	67.9	2950	93.7	0.90	120	232		
YVF -225M-2	45	82.1	2960	94.0	0.90	145	285	5-50	50-70
YVF -250M-2	55	99.8	2965	94.3	0.90	177	375		
YVF -280S-2	75	135	2970	94.7	0.90	241	500	5-50	50-60
YVF -280M-2	90	160	2970	95.0	0.91	297	550		
YVF -315S-2	110	195	2975	95.2	0.91	353	860		
YVF -315M-2	132	233	2975	95.4	0.91	424	960		
YVF -315L1-2	160	279	2975	95.6	0.92	514	1020		
YVF -315L-2	185	323	2975	95.7	0.92	594	--		
YVF -315L2-2	200	348	2975	95.8	0.92	642	1080		
YVF -315L3-2	220	383	2975	95.8	0.92	706	--		
YVF -355M1-2	220	383	2975	95.8	0.92	705	--		
YVF -355M-2	250	435	2980	95.8	0.92	801	1700		
YVF -355L1-2	280	487	2980	95.8	0.92	897	--		
YVF -355L-2	315	548	2980	95.8	0.92	1009	1850		
YVF -355L2-2	355	617	2980	95.8	0.92	1138	--		
YVF -355L3-2	375	652	2980	95.8	0.92	1202	--		

性能数据 Performance Data

Rated Voltage: 380V FUNDAMENTAL FREQUENCY: 50HZ

额定电压: 380V 基频: 50HZ

型号 Type	功率 kW	额定 电流 A	转速 r/min	效率 Eff. %	功率 因数 P.F	额定 转矩 N.m	重量 Kg	恒转矩调频范围 Constant Torque Frequency Range Hz	恒功率调频范围 Constant Output Frequency Range Hz
同步转速 1000r/min									
YVF-80M1-4	0.55	1.57	1390	80.8	0.75	3.78	14.5	5-50	50-100
YVF-80M2-4	0.75	2.05	1390	82.5	0.76	5.15	15		
YVF-90S-4	1.1	2.85	1390	84.1	0.77	7.56	19		
YVF-90L-4	1.5	3.68	1390	85.3	0.79	10.3	23		
YVF-100L1-4	2.2	5.09	1410	86.7	0.81	14.9	30		
YVF-100L2-4	3	6.73	1410	87.7	0.82	20.3	33		
YVF-112M-4	4	8.80	1440	88.6	0.82	26.5	43		
YVF-132S-4	5.5	11.7	1440	89.6	0.83	36.5	60		
YVF-132M-4	7.5	15.6	1440	90.4	0.84	49.7	69		
YVF-160M-4	11	22.5	1460	91.4	0.84	72.0	107		
YVF-160L-4	15	30.0	1460	92.1	0.85	98.1	130		
YVF-180M-4	18.5	36.3	1470	92.6	0.86	120	162		
YVF-180L-4	22	42.9	1470	93.0	0.86	143	175		
YVF-200L-4	30	58.0	1470	93.6	0.86	195	227		
YVF-225S-4	37	70.2	1475	93.9	0.87	240	282		
YVF-225M-4	45	85.0	1475	94.2	0.87	291	315		
YVF-250M-4	55	103	1480	94.6	0.87	355	390		
YVF-280S-4	75	140	1480	95.0	0.87	484	525		
YVF-280M-4	90	167	1480	95.2	0.87	571	590		
YVF-315S-4	110	201	1480	95.4	0.88	710	900		
YVF-315M-4	132	240	1480	95.6	0.88	852	1000		
YVF-315L1-4	160	288	1480	95.8	0.89	1032	1070		
YVF-315L-4	185	333	1480	96.0	0.89	1194	--		
YVF-315L2-4	200	360	1480	96.0	0.89	1291	1140		
YVF-315L3-4	220	396	1480	96.0	0.89	1420	--		
YVF-355M1-4	220	396	1490	96.0	0.89	1410	--		
YVF-355M-4	250	444	1490	96.0	0.90	1602	1760		
YVF-355L1-4	280	497	1490	96.0	0.90	1795	--		
YVF-355L-4	315	559	1490	96.0	0.90	2019	1920		
YVF-355L2-4	355	630	1490	96.0	0.90	2275	--		
YVF-355L3-4	375	666	1490	96.0	0.90	2404	--		

性能数据 Performance Data

Rated Voltage: 380V FUNDAMENTAL FREQUENCY: 50HZ
额定电压: 380V 基频: 50HZ

型号 Type	功率 kW	额定 电流 A	转速 r/min	效率 Eff. %	功率 因数 P.F	额定 转矩 N.m	重量 Kg	恒转矩调频范围 Constant Torque Frequency Range Hz	恒功率调频范围 Constant Output Frequency Range Hz
同步转速 1000r/min									
YVF-80M1-6	0.37	1.30	885	73.5	0.70	3.99	15.5	5-50	50-100
YVF-80M2-6	0.55	1.79	885	77.2	0.72	5.94	16.5		
YVF-90S-6	0.75	2.29	910	78.9	0.72	7.87	20		
YVF-90L-6	1.1	3.18	910	81.0	0.73	11.5	24		
YVF-100L-6	1.5	4.00	920	82.5	0.75	15.6	29		
YVF-112M-6	2.2	5.57	935	84.3	0.76	22.5	37		
YVF-132S-6	3	7.40	960	85.6	0.76	29.8	53		
YVF-132M1-6	4	9.75	960	86.8	0.76	39.8	64		
YVF-132M2-6	5.5	12.9	965	88.0	0.77	54.4	72		
YVF-160M-6	7.5	17.2	970	89.1	0.77	73.8	97		
YVF-160L-6	11	24.5	970	90.3	0.78	108	126		
YVF-180L-6	15	31.6	970	91.2	0.81	148	166		
YVF-200L1-6	18.5	38.6	980	91.7	0.81	180	205		
YVF-200L2-6	22	44.7	980	92.2	0.83	214	220		
YVF-225M-6	30	59.3	980	92.9	0.84	292	290		
YVF-250M-6	37	71.1	980	93.3	0.86	361	370		
YVF-280S-6	45	85.9	980	93.7	0.86	439	490		
YVF-280M-6	55	105	980	94.1	0.86	536	540		
YVF-315S-6	75	142	985	94.6	0.86	727	850		
YVF-315M-6	90	170	985	94.9	0.86	873	960		
YVF-315L1-6	110	207	985	95.1	0.86	1066	1060		
YVF-315L2-6	132	245	985	95.4	0.86	1280	1120		
YVF-315L3-6	160	292	985	95.6	0.87	1551	--		
YVF-355M1-6	160	292	990	95.6	0.88	1543	1680		
YVF-355M-6	185	338	990	95.8	0.88	1785	--		
YVF-355M2-6	200	364	990	95.8	0.88	1929	1780		
YVF-355L1-6	220	401	990	95.8	0.88	2122	--		
YVF-355L-6	250	454	990	95.8	0.88	2412	1950		
YVF-355L2-6	280	509	990	95.8	0.88	2701	--		
YVF-355L3-6	315	572	990	95.8	0.88	3039	--		

性能数据 Performance Data

Rated Voltage: 380V FUNDAMENTAL FREQUENCY: 50HZ

额定电压: 380V 基频: 50HZ

型号 Type	功率 kW	额定 电流 A	转速 r/min	效率 Eff. %	功率 因数 P.F	额定 转矩 N.m	重量 Kg	恒转矩调频范围 Constant Torque Frequency Range Hz	恒功率调频范围 Constant Output Frequency Range Hz
同步转速 750r/min									
YVF-80M1-8	0.18	0.88	645	58.7	0.61	2.67	15.5	5-50	50-100
YVF-80M2-8	0.25	1.15	645	64.1	0.61	3.70	16.5		
YVF-90S-8	0.37	1.49	670	69.3	0.61	5.27	20		
YVF-90L-8	0.55	2.17	670	73.0	0.61	7.84	24		
YVF-100L1-8	0.75	2.40	680	75.0	0.67	10.5	30		
YVF-100L2-8	1.1	3.32	680	77.7	0.69	15.4	32		
YVF-112M-8	1.5	4.40	690	79.7	0.69	20.8	40		
YVF-132S-8	2.2	6.04	705	81.9	0.71	29.8	52		
YVF-132M-8	3	7.90	705	83.5	0.73	40.6	63		
YVF-160M1-8	4	10.3	720	84.8	0.73	53.1	90		
YVF-160M2-8	5.5	13.6	720	86.2	0.74	73.0	100		
YVF-160L-8	7.5	17.8	720	87.3	0.75	99.5	124		
YVF-180L-8	11	25.1	730	88.6	0.76	144	160		
YVF-200L-8	15	34.1	730	89.6	0.76	196	212		
YVF-225S-8	18.5	41.1	730	90.1	0.76	242	255		
YVF-225M-8	22	47.4	730	90.6	0.78	288	285		
YVF-250M-8	30	63.4	735	91.3	0.79	390	370		
YVF-280S-8	37	77.8	735	91.8	0.79	481	485		
YVF-280M-8	45	94.1	735	92.2	0.79	585	540		
YVF-315S-8	55	111	735	92.5	0.81	715	820		
YVF-315M-8	75	151	735	93.1	0.81	974	970		
YVF-315L1-8	90	178	735	93.4	0.82	1169	1050		
YVF-315L2-8	110	217	735	93.7	0.82	1429	1130		
YVF-355M1-8	132	261	740	94.0	0.82	1704	1720		
YVF-355M2-8	160	315	740	94.3	0.82	2065	1800		
YVF-355L1-8	185	364	740	94.6	0.82	2388	--		
YVF-355L-8	200	387	740	94.6	0.83	2581	1950		
YVF-355L2-8	220	426	740	94.6	0.83	2839	--		
YVF-355L3-8	250	484	740	94.6	0.83	3226	--		
同步转速 600r/min									
YVF-315S-10	45	100	590	91.5	0.75	728	830	5-50	50-100
YVF-315M-10	55	121	590	92.0	0.75	890	940		
YVF-315L1-10	75	162	590	95.5	0.76	1214	1070		
YVF-315L2-10	90	191	590	93.0	0.77	1457	1150		
YVF-355M1-10	110	230	590	93.2	0.78	1751	1660		
YVF-355M2-10	132	275	590	93.5	0.78	2137	1780		
YVF-355L1-10	160	333	590	93.5	0.78	2590	--		
YVF-355L-10	185	385	590	93.5	0.78	2994	1950		
YVF-355L2-10	200	417	590	93.5	0.78	3237	--		
YVF-355L3-10	220	458	590	93.5	0.78	3561	--		

YEJVF

YEJVF系列变频调速电磁制动电动机

series frequency-variable and electromagnetic-brake motor

YEJVF系列电动机是我公司研制开发的新型产品之一，其产品结构为YEJ和YVF两系列相结合，即在YVF系列电动机的非轴伸端将轴延伸出来装有电磁制动器；其性能满足YVF系列电机技术标准，要产品与电子变频器联合使用，可实现转速150~2750r/min范围内的无极调速并带电磁制动，电机在任意转速下，当电磁制动电源失电时电机在短时间内停转，空载制动时间随机座号由大到小，约为0.5~0.45秒，该系列电动机广泛应用于各类无极调速并需制动的机械设备，交通运输、冶金、纺织、印染、化工、矿工、建筑等行业的设备作为驱动力。

YEJVF series motor is one of the new products developed by our company. Its product structure is the combination of Yej and Yvf, that is, the non-shaft extension of YVF series motor is equipped with electromagnetic brake. Its performance meets the YVF series motor technical standard, and it can realize the stepless speed regulation and electromagnetic brake in the range of 150 ~ 2750r/min when the product is used with the electronic frequency converter, when the electromagnetic braking power supply is out of power, the motor will stop in a short time, and the no-load braking time is from large to small, about 0.5 ~ 0.45 seconds. This series of motors are widely used in all kinds of mechanical equipment with no-pole speed regulation and need braking, transportation, metallurgy, textiles, printing and dyeing, chemical, miners, construction and other industries as the driving force of equipment.



产品相关参数:

机座中心高: 80~225mm
 控制器电源: 机座中心高 ≤ 100mm; 交流220V (整流后直流99V)
 机座中心高 ≥ 112mm; 交流380V (整流后直流170V)
 功率范围: 0.55~45kW
 额定电压: 380V (其他电压需另订协议)
 额定频率: 50Hz (或60Hz)
 防护等级: IP54
 绝缘等级: F级
 工作制: S1

Technical Data:

Centre height of frame: 80~225mm
 Controller's power: centre height of frame < 100mm, AC 220V (after commutate 99V)
 centre height of frame ≥ 112mm, AC 380V (after commutate 170V)
 Power range: 0.55~45kW
 Rated voltage: 380V or order
 Rated frequency: 50Hz OT 60Hz
 Protection class: IP54
 Insulation class: F
 Duty type: S1

型号 Type	标准功率 Output	标准电流 Current	额定转矩 Rated Torque	恒转矩 变频范围 Torque range	恒功率 变频范围 Power factor	静制动转矩 Static Braking Torque	空载 制动时间 No-load brake Log time	励磁功率 Energizing power	堵转转矩 Locked-rotor torque	堵转电流 Locked-rotor current	最大转矩 Pull-out torque	最小转矩 Minimum torque
	HP	KW	(N.m)	(%)	(CosΦ)	(N.m)	(S)	(W)	额定转矩 Rated torque Tst/TN	额定电流 Rated Current Ist/TN	额定转矩 Rated torque Tmax/TN	额定转矩 Rated torque Tmin/TN
YEJVF-80M1-4	0.55	1.5	3.5	5-50	50-100	7.5	0.2	30	2	9	2.8	1.7
YEJVF-S0M2-4	0.75	2	4.7			7.5	0.2	30				1.6
YEJVF-90S-4	1.1	2.8	7			15	0.2	50				1.5
YEJVF-90L 4	1.5	3.7	9.5			15	0.2	50				1.4
YEJVF-100L 4	2.2	5.1	14			30	0.2	65				
YEJVF-100L2-4	3	6.8	19			30	0.2	65				1.2
YEJVF-112M-4	4	8.7	25.4			40	0.25	80				
YEJVF-132S-4	5.5	11.4	35			75	0.25	90				1.1
YEJVF-132M-4	7.5	15.3	47.7			75	0.25	90				
YEJVF-160M-4	11	22.1	70			150	0.35	150				1.2
YEJVF-160L-4	15	30.1	95.5			150	0.35	150				
YEJVF-180M-4	18.5	35.4	117.1			200	0.35	150				1.1
YEJVF-180L-4	22	41.6	140.9			200	0.35	150				
YEJVF 200L-4	30	55.9	190.9			300	0.45	200				1.1
YEJVF-225S-4	37	68.2	235.5			450	0.45	200				
YEJVF-225M-4	45	82.5	286.4			450	0.45	200				1.1

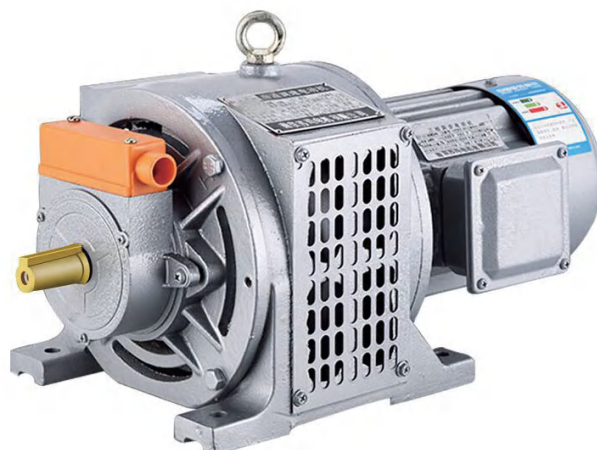
YCT

YCT 系列电磁调速电动机

series speed-adjusting electromagnetic motor

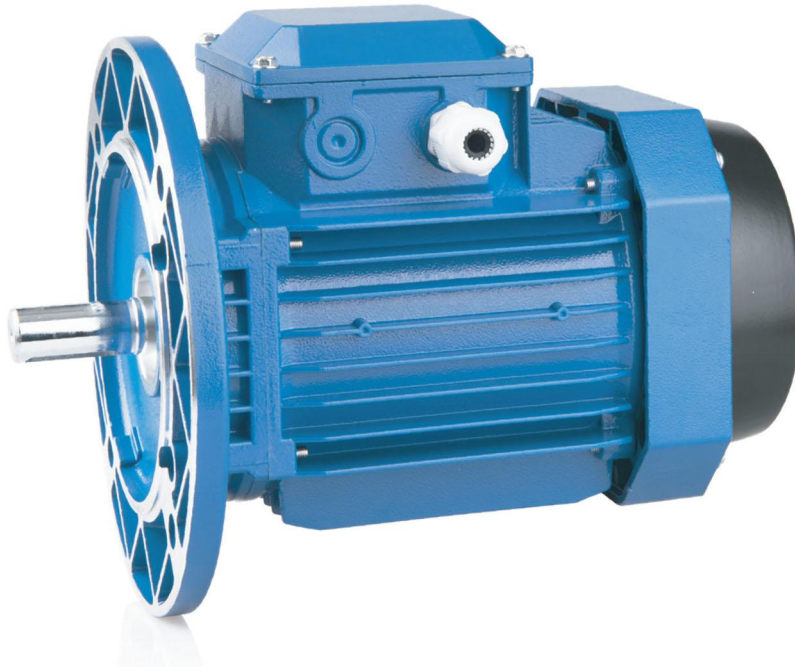
YCT系列电磁调速电动机广泛应用于恒转矩无级调速的各种场合，如：纺织、化工、电影制片、化学纤维、冶金、造纸、水泥、橡胶、电线、制糖、塑料、发电厂等工业设备，适用于拖动转矩递减的离心式水泵和风机负载。功率范围：0.55~90kW 电动机中心高：112~335mm

YCT series of electromagnetic speed motor is widely used in constant torque stepless speed regulation of various occasions, such as: textile, chemicals, film production, chemical fiber, metallurgy, paper, cement, rubber, wire, sugar, plastic, Power plants and other industrial equipment for drag torque reduction of the centrifugal pump and fan load. Power range: 0.55 ~ 90kW Motor Center High: 112 ~ 335mm



型号 Type	标称功率 Nominal output kW	额定转矩 Rated Torque N.m	额定调速范围 Speed Range r/min	型号 Type	标称功率 Nominal output kW	额定转矩 Rated Torque N.m	额定调速范围 Speed Range r/min
YCT112-4A	0.55	3.6	1230~125	YCT225-4B	15	94	1250~125
YCT112-4B	0.75	4.9	1230~125	YCT250-4A	18.5	110	1320~132
YCT132-4A	1.1	7.1	1230~125	YCT250-4B	22	137	1320~132
YCT132-4B	1.5	9.7	1230~125	YCT280-4A	30	189	1320~132
YCT160-4A	2.2	14.1	1250~125	YCT315-4A	37	232	1320~132
YCT160-4B	3	19.2	1250~125	YCT315-4B	45	282	1320~132
YCT180-4A	4	25.2	1250~125	YCT355-4A	55	344	1340~440
YCT200-4A	5.5	36.1	1250~125	YCT355-4B	75	469	1340~440
YCT200-4B	7.5	47.7	1250~125	YCT225-4B	90	564	1340~600
YCT225-4A	11	69	1250~125				

型号 Type		CTK-A30 (JD21A-40)	CTK-A90 (JD21A-90)	CTK-B30 (JD21B-40)	CTK-B90 (JD21B-90)
电源 Input power	电压V	220±10%			
	频率Hz	50±2%			
额定直流输出DC Rated Output	电压V	≥80			
	电流A	4	6.3	4	6.3
可控电机功率kW Power range of controlled motor		0.55~30	37~90	0.55~30	37~90
转速变化率% Speed variation ratio		2.5		1.0	
稳速精度% Accuracy of speed stability		≤1			
端子标志 Terminal Mark	输入 input 1相线 phase terminal 2零线 zero line	输出 output 3+ 4-	测速发电机 tachogenerator 5 6 7		



MS 铝壳

MS 系列铝壳三相异步电动机 ALUMINIUM THREE-PHASE ASYNCHRONOUS MOTOR

MS 系列铝壳三相异步电动机是Y2系列铝壳三相异步电动机的改进型产品，采用了铝合金压铸机座、端盖、接线盒、以及可拆卸式底脚，其安装尺寸与功率等级和Y2系列电机保持一致。

MS 系列铝壳三相异步电动机有如下优点：高效节能、启动转矩大、噪音低、结构合理、运行可靠、安装使用方便，同时具有更加光洁的外观、更好的散热性能以及更轻的重量。

MS 系列铝壳三相异步电动机使用条件同Y2系列电机，并按我国国家标准GB18613-2012规定的3级能效制造，等同于国际电工委员会IE2高效标准。

MS series aluminium-housing three phase asynchronous motors are developed from Y2 series three phase asynchronous motors, since aluminum-alloy material has been introduced into its housing, end shield, terminal box and removable feet, MS series aluminium-housing motors owns a beautiful appearance and a smooth surface. Despite that, dimensions and output power of MS series aluminium-housing motors are the same as those of Y2 series three phase asynchronous motors.

MS series aluminium-housing motors have lots of futures such as high efficiency and energy saving, large starting torque, excellent performance, low noise and vibration, compact structure, high reliability, easy operation and etc.

Operating conditions of MS series aluminium-housing motors are identical with Y2 series motors, while efficiency class are in line with Chinese National standard GB 18613-2012 class III, simultaneously, we supply MS series aluminium-housing motors in conformity with IE3 standard for customers.

详细说明 Details

现场条件 Site condition

MS系列电动机适用于大多数的场合及环境。电动机标准工作条件为-20℃到+40℃，海拔1000米。

MS Series motors are suitable for most situations and environments. The standard operating conditions of the motor range from -20 °C to +40 °C with an altitude of 1000 meters.

温升和绝缘 Temperature rise and insulation

电动机按F级绝缘设计(155℃)，按B级绝缘考核(80K)，电动机的使用寿命和可靠性得到保证。

The motor is designed according to Class F insulation (155 °C) and tested according to Class B insulation (80K). The service life and reliability of the motor are guaranteed.

冷却和通风 Cooling and ventilation

标准冷却方式为全封闭自扇冷(TEFC)。标准电机装有辅助流式塑料风扇。符合IEC 60034-6中IC411的规定。

The Standard cooling mode is totally enclosed self-fan cooling (TEFC). Standard Motors are equipped with an auxiliary flow plastic fan. Comply with IC411 in IEC 60034-6.

防护等级 Protection level

电动机的防护等级为IP55，可用于含尘或潮湿环境。也可根据客户要求提供更高防护等级的电动机。

The protection grade of the motor is IP55 and can be used in dusty or wet environment. Higher Protection Grade Motors are also available upon request.

电机保护 Motor protection

可根据要求安装PTC、PT100等绕组和轴承测温及保护装置。

PTC, PT100 and other windings and bearings can be installed according to the requirements of temperature and protection devices.

电压、频率 Voltage, frequency

标准电机为380V/50HZ。可设计200-660V范围内任意电压的50Hz的电动机。在供电电压偏离额定电压±5%的情况下，仍能良好运行。The Standard Motor is 380V/50HZ. Can Be designed in the range of 200-660V arbitrary voltage 50Hz motor. When the supply voltage deviates from the rated voltage by ± 5%, it can still run well.

振动 Vibration

MS系列电动机在空载时振动速度等级符合A级。特殊要求时，可提供B级电动机

The vibration speed grade of MS series motor accords with Class A when no-load. Class B motors are available upon special request

接线盒位置 Junction box location

接线盒在机座上方或右侧为标准MS系列电机。

The junction box is a standard MS series motor above or to the right of the frame.

质量保证 Quality Assurance

从产品设计到产品出厂，遵循ISO9001质量认证体系，严格遵守质量程序。From the product design to the product factory, in accordance with the ISO9001 quality certification system, strict compliance with quality procedures.

技术数据 Technical data 2极、4极、5极 380V/50Hz 2pole、4pole、6pole 380V 50Hz

型号 Type	额定功率		电流 IN (A)			转速 r/min	效率 Eff η %	功率因数 P.F	额定转矩 Tn N.m	堵转转矩 额定转矩 $\frac{Tst}{Tn}$	最大转矩 额定转矩 $\frac{Tmax}{Tn}$	堵转电流 额定电流 $\frac{Ist}{In}$	惯量 10^{-3}kgm^2	重量 Kg
	KW	HP	380V	400V	415V									
MS-63M1-2	0.18	0.25	0.53	0.50	0.49	2720	65.91	0.8	0.63	2.2	2.2	5.5	0.00031	—
MS-63M2-2	0.25	0.35	0.69	0.66	0.63	2720	69.7	0.81	0.88	2.2	2.2	5.5	0.00060	—
MS-71M1-2	0.37	0.5	0.99	0.94	0.91	2740	73.8	0.81	1.29	2.2	2.2	6.1	0.00075	—
MS-71M2-2	0.55	0.75	1.40	1.33	1.28	2740	77.8	0.82	1.92	2.2	2.3	6.1	0.00090	—
MS-80M1-2	0.75	1.0	1.77	0.68	1.62	2830	80.7	0.83	2.53	2.2	2.3	6.1	0.00120	15
MS-80M2-2	1.1	1.5	2.50	2.38	2.29	2830	82.7	0.84	3.71	2.2	2.3	7.0	0.00140	16.5
MS-90S-2	1.5	2.0	3.34	3.17	3.06	2840	84.2	0.84	5.04	2.2	2.3	7.0	0.00290	20
MS-90L-2	2.2	3.0	4.73	4.49	4.33	2840	85.9	0.85	7.40	2.2	2.3	7.0	0.00550	24
MS-100L-2	3.0	4.0	6.19	5.88	5.67	2870	87.1	0.87	9.98	2.2	2.3	7.5	0.01090	31
MS-112M-2	4.0	5.5	8.05	7.65	7.37	2890	88.1	0.88	13.22	2.2	2.3	7.5	0.01260	38
MS-132S1-2	5.5	7.5	10.9	10.4	10.0	2900	89.2	0.88	18.11	2.2	2.3	7.5	0.03770	58
MS-132S2-2	7.5	10	14.7	14.0	13.5	2900	90.1	0.88	24.70	2.2	2.3	7.5	0.04990	62
MS-132M-2	9	12	17.6	16.6	16.0	2930	90.6	0.88	29.6	2.2	2.3	7.5	0.0510	—
MS-160M1-2	11	15	21	20.0	19.2	2930	91.2	0.89	35.85	2.2	2.3	7.5	0.05500	103
MS-160M2-2	15	20	28.4	27.0	26.0	2930	91.9	0.89	48.89	2.2	2.3	7.5	0.07500	112
MS-160L-2	18.5	25	34.4	32.7	31.5	1310	92.4	0.90	60.30	2.2	2.3	7.5	0.12400	135
MS-63M1-4	0.12	0.18	0.44	0.42	0.40	1310	64.8	0.72	0.87	2.1	2.3	4.4	0.00050	—
MS-63M2-4	0.18	0.25	0.62	0.59	0.57	1330	69.9	0.73	1.31	2.1	2.2	4.4	0.00060	—
MS-71M1-4	0.25	0.35	0.79	0.75	0.72	1330	73.5	0.74	1.80	2.1	2.2	5.2	0.00080	—
MS-71M2-4	0.37	0.5	1.12	1.06	1.03	1390	77.3	0.75	2.66	2.1	2.2	5.5	0.00130	—
MS-80M1-4	0.55	0.75	1.57	1.49	1.44	1390	80.8	0.75	3.78	2.4	2.2	5.2	0.00180	14.5
MS-80M2-4	0.75	1	1.88	1.79	1.72	1400	82.5	0.76	5.15	2.3	2.3	6.0	0.00210	15
MS-90S-4	1.1	1.5	2.67	2.54	2.44	1400	84.1	0.77	7.5	2.3	2.3	6.0	0.00230	19
MS-90L-4	1.5	2	3.48	3.31	3.19	1430	85.3	0.79	10.23	2.3	2.3	6.0	0.00270	23
MS-100L1-4	2.2	3	4.9	4.65	4.49	1430	86.7	0.81	14.69	2.3	2.3	7.0	0.00540	30
MS-100L2-4	3	4	6.5	6.18	5.95	140	87.7	0.82	20.03	2.3	2.3	7.0	0.00670	33
MS-112M-4	4	5.5	8.56	8.13	7.84	1440	88.6	0.82	26.53	2.3	2.3	7.0	0.00950	43
MS-132S-4	5.5	7.5	11.5	10.9	10.5	1440	89.6	0.83	36.48	2.3	2.3	7.0	0.02140	60
MS-132M-4	7.5	10	15.3	14.5	14.0	1440	90.4	0.84	49.74	2.3	2.3	7.0	0.02960	69
MS-132M1-4	9	12	18.3	17.4	16.8	1460	91.0	0.84	59.69	2.3	2.3	7.0	0.03806	—
MS-160M1-4	11	15	22.2	21.1	20.3	1460	91.4	0.84	71.95	2.3	2.3	7.0	0.07470	—
MS-160L-4	15	20	29.6	28.1	27.1	1460	92.1	0.85	98.12	2.2	2.3	7.5	0.09180	130
MS-63M1-6	0.09	0.12	0.52	0.49	0.48	840	48.0	0.60	1.02	2.2	2.3	3.5	0.00025	—
MS-63M2-6	0.12	0.18	0.63	0.60	0.58	840	57.7	0.60	1.36	1.8	1.9	3.5	0.00040	—
MS-71M1-6	0.18	0.25	0.74	0.70	0.68	850	63.9	0.66	2.02	1.8	1.9	4.0	0.00110	—
MS-71M2-6	0.25	0.37	0.95	0.90	0.87	850	68.6	0.68	2.81	1.9	2.0	4.0	0.00140	—
MS-80M1-6	0.37	0.5	1.3	1.24	1.19	890	73.5	0.70	3.97	1.9	2.0	4.7	0.00160	15.5
MS-80M2-6	0.55	0.75	1.79	1.70	1.64	890	77.2	0.72	5.90	1.9	2.0	4.7	0.00190	16.5
MS-90S-6	0.75	1	2.09	1.99	1.91	910	78.9	0.72	7.87	1.9	2.1	5.5	0.00290	20
MS-90L-6	1.1	1.5	2.93	2.78	2.68	910	81.0	0.73	11.54	2.0	2.1	5.5	0.00350	24
MS-100L-6	1.5	2	3.81	3.62	3.49	940	82.5	0.75	15.24	2.0	2.1	5.5	0.00690	29
MS-112M-6	2.2	3	5.38	5.11	4.93	940	84.3	0.76	22.35	2.0	2.1	6.5	0.01400	37
MS-132S-6	3	4	7.2	6.84	6.59	960	85.6	0.76	29.84	2.1	2.1	6.5	0.02860	53
MS-132M1-6	4	5.5	9.45	8.98	8.65	960	86.8	0.76	39.79	2.1	2.1	6.5	0.03570	64
MS-132M2-6	5.5	7.5	2.6	12.0	11.50	960	88.0	0.77	54.71	2.1	2.1	6.5	0.04490	72
MS-160M-6	7.5	10	17	16.2	15.60	970	89.1	0.77	73.84	2.0	2.1	6.5	0.08100	97
MS-160L-6	11	15	24.2	23.0	22.20	970	90.3	0.78	108.30	2.0	2.1	6.5	0.11600	126



YD

YD 系列超高效率三相异步电动机

CHANGE-POLES MULTI-SPEED THREE-PHASE ASYNCHRONOUS MOTOR

适用于：要求随负载的性质逐级调速的各种传动机械如机床、矿山、冶金、纺织、印染、化工等行业。

特点：采用改变绕组的接法来变换电机的转速和输出功率，使其与机械设备的负载特性相匹配，简化了变速系统，高效、节能。

变速方案：双速、三速、四速

Applications: widely used in such industry which have step changes of rotational speed to meet the requirements of load character, as machine tools, mining, metallurgy, textile, printing and dyeing, chemical industry and agricultural machinery, etc.

Features: simplify speed-changing systems by changing the connection to obtain different output and speed.

Pole-changing mode: double, three or four speed.

产品相关参数:

机座中心高: 80 ~ 280mm

功率范围: 0.35 ~ 82kW

额定电压: 380V (其他电压需另订协议)

额定频率: 50Hz (或60Hz)

防护等级: IP54 (或IP55)

绝缘等级: F/H级

工作制: S1

Technical Data:

Centre height of frame: 80-280mm

Power range: 0.35-82kW

Rated voltage: 380V (special should order)

Rated frequency: 50Hz or 60Hz

Protection class: IP54 or IP55

Insulation class: F/H

Duty type: S1

性能数据 Performance Data

Rated Voltage: 380V FUNDAMENTAL FREQUENCY: 50HZ

额定电压: 380V 频率: 50HZ

型号 Type	极数 Pole	功率 kW	满载时 Full Load				堵转转矩 额定转矩 $\frac{T_{st}}{T_n}$	堵转电流 额定电流 $\frac{I_{st}}{I_n}$	最大转矩 额定转矩 $\frac{T_{max}}{T_n}$
			额定电流 Current A	转速 r/min	效率 Eff $\eta\%$	功率因数 P.F			
同步转速 1500/3000 r/min									
YD-80M1-4/2	4	0.45	1.4	1420	66	0.74	1.5	6.5	1.8
	2	0.55	1.5	2860	65	0.85	1.7	7	
YD-80M2-4/2	4	0.55	1.7	1420	68	0.74	1.6	6.5	1.8
	2	0.75	2.0	2860	66	0.85	1.8	7	
YD-90S-4/2	4	0.85	2.3	1430	74	0.77	1.8	6.5	1.8
	2	1.1	2.8	2850	71	0.85	1.9	7	
YD-90L-4/2	4	1.3	3.3	1430	76	0.78	1.8	6.5	1.8
	2	1.8	4.4	2850	73	0.85	2.0	7	
YD-100L1-4/2	4	2	4.8	1430	78	0.81	1.7	6.5	1.8
	2	2.4	5.6	2850	76	0.86	1.9	7	
YD-100L2-4/2	4	2.4	5.6	1430	79	0.83	1.6	6.5	1.8
	2	3	6.7	2850	77	0.89	1.7	7	
YD-112M-4/2	4	3.3	6.8	1450	82	0.83	1.9	6.5	1.8
	2	4	7.4	2890	79	0.89	2.0	7	
YD-132S-4/2	4	4.5	9.8	1450	83	0.84	1.7	6.5	1.8
	2	5.5	11.9	2890	79	0.89	1.8	7	
YD-132M-4/2	4	6.5	13.8	1450	84	0.85	1.7	6.5	1.8
	2	8	17.1	2890	80	0.89	1.8	7	
YD-160M-4/2	4	9	18.5	1460	87	0.85	1.6	6.5	1.8
	2	11	22.9	2920	82	0.89	1.8	7	
YD-160L-4/2	4	11	22.3	1460	87	0.86	1.7	6.5	1.8
	2	14	28.8	2920	82	0.90	1.8	7	
YD-180M-4/2	4	15	29.4	1470	89	0.87	1.8	6.5	1.8
	2	18.5	36.7	2940	85	0.90	1.9	7	
YD-180L-4/2	4	18.5	35.9	1470	89	0.88	1.6	6.5	1.8
	2	22	42.7	2940	86	0.91	1.8	7	
YD-200L-4/2	4	26	49.9	1470	89	0.89	1.4	6.5	1.8
	2	30	58.3	2950	85	0.92	1.6	7	
YD-225S-4/2	4	32	60.7	1475	90	0.89	1.4	6.5	1.8
	2	37	71.1	2955	86	0.92	1.6	7	
YD-225M-4/2	4	37	69.4	1475	91	0.89	1.6	6.5	1.8
	2	45	86.4	2955	86	0.92	1.6	7	
YD-250M-4/2	4	45	84.4	1475	91	0.89	1.6	6.5	1.8
	2	52	98.7	2955	87	0.92	1.6	7	
YD-280S-4/2	4	60	111	1480	91	0.90	1.4	6.5	1.8
	2	72	135	2960	88	0.92	1.5	7	
YD-280M-4/2	4	72	134	1480	91	0.90	1.4	6.5	1.8
	2	82	152	2960	88	0.93	1.5	7	

性能数据 Performance Data

Rated Voltage: 380V FUNDAMENTAL FREQUENCY: 50HZ
额定电压: 380V 频率: 50HZ

型号 Type	极数 Pole	功率 kW	满载时 Full Load				堵转转矩 额定转矩 $\frac{T_{st}}{T_n}$	堵转电流 额定电流 $\frac{I_{st}}{I_n}$	最大转矩 额定转矩 $\frac{T_{max}}{T_n}$
			额定电流 Current A	转速 r/min	效率 Eff $\eta\%$	功率因数 P.F			
同步转速 1000/1500r/min									
YD-90S-6/4	6	0.65	2.2	920	64	0.68	1.6	6	1.8
	4	0.85	2.3	1420	70	0.79	1.4	6.5	
YD-90L-6/4	6	0.85	2.8	930	66	0.70	1.6	6	1.8
	4	1.1	3.0	1400	71	0.79	1.5	6.5	
YD-100L1-6/4	6	1.3	3.8	940	74	0.70	1.7	6	1.8
	4	1.8	4.4	1440	77	0.80	1.4	6.5	
YD-100L2-6/4	6	1.5	4.3	940	75	0.70	1.6	6	1.8
	4	2.2	5.4	1440	77	0.80	1.4	6.5	
YD-112M-6/4	6	2.2	5.7	960	78	0.75	1.8	6	1.8
	4	2.8	6.7	1440	77	0.82	1.5	6.5	
YD-132S-6/4	6	3	7.7	970	79	0.75	1.8	6	1.8
	4	4	9.5	1440	78	0.82	1.7	6.5	
YD-132M-6/4	6	4	9.8	970	82	0.76	1.6	6	1.8
	4	5.5	12.3	1440	80	0.85	1.4	6.5	
YD-160M-6/4	6	6.5	15.1	970	84	0.78	1.5	6	1.8
	4	8	17.6	1460	82	0.84	1.5	6.5	
YD-160L-6/4	6	9	20.6	970	85	0.78	1.6	6	1.8
	4	11	23.7	1460	83	0.85	1.7	6.5	
YD-180M-6/4	6	11	25.9	980	85	0.76	1.6	6	1.8
	4	14	29.8	1470	84	0.85	1.7	6.5	
YD-180L-6/4	6	13	29.4	980	86	0.78	1.7	6	1.8
	4	16	33.6	1470	85	0.85	1.7	6.5	
YD-200L-6/4	6	18.5	41.4	980	87	0.78	1.6	6.5	1.8
	4	22	44.9	1460	86.5	0.86	1.5	7	
YD-225S-6/4	6	22	44.2	980	88	0.86	1.8	6.5	1.8
	4	28	56.5	1470	86.5	0.87	1.8	7	
YD-225M-6/4	6	26	52.2	980	88	0.86	1.8	6.5	1.8
	4	34	63.2	1470	85.5	0.90	1.8	7	
YD-250M-6/4	6	32	62.1	990	90	0.87	1.5	6.5	1.8
	4	42	81.1	1480	86.5	0.91	1.3	7	
YD-280S-6/4	6	42	81.5	990	90	0.87	1.5	6.5	1.8
	4	55	107	1480	87	0.90	1.3	7	
YD-280M-6/4	6	55	107	990	90	0.87	1.6	6.5	1.8
	4	67	131	1480	87	0.89	1.3	7	

性能数据 Performance Data

Rated Voltage: 380V FUNDAMENTAL FREQUENCY: 50HZ

额定电压: 380V 频率: 50HZ

型号 Type	极数 Pole	功率 kW	满载时 Full Load				堵转转矩 额定转矩 $\frac{T_{st}}{T_n}$	堵转电流 额定电流 $\frac{I_{st}}{I_n}$	最大转矩 额定转矩 $\frac{T_{max}}{T_n}$
			额定电流 Current A	转速 r/min	效率 Eff $\eta\%$	功率因数 P.F			
同步转速 750/1500r/min									
YD-90L-8/4	8	0.45	1.9	700	58	0.63	1.6	5.5	1.8
	4	0.75	1.8	1420	72	0.87	1.4	6.5	
YD-100L-8/4	8	0.85	3.1	700	67	0.63	1.6	5.5	1.8
	4	1.5	3.5	1410	74	0.88	1.4	6.5	
YD-112M-8/4	8	1.5	5.0	700	72	0.63	1.7	5.5	1.8
	4	2.4	5.3	1410	78	0.88	1.7	6.5	
YD-132S-8/4	8	2.2	7.0	720	75	0.64	1.5	5.5	1.8
	4	3.3	7.1	1440	80	0.88	1.7	6.5	
YD-132M-8/4	8	3	9.0	720	78	0.65	1.5	5.5	1.8
	4	4.5	9.4	1440	82	0.89	1.6	6.5	
YD-160M-8/4	8	5	13.9	730	83	0.66	1.5	5.5	1.8
	4	7.5	15.2	1450	84	0.89	1.6	6.5	
YD-160L-8/4	8	7	19	730	85	0.66	1.5	5.5	1.8
	4	11	21.8	1450	86	0.89	1.6	6.5	
YD-180L-8/4	8	11	26.7	730	87	0.72	1.5	6	1.8
	4	17	32.3	1470	88	0.91	1.5	7	
YD-200L1-8/4	8	14	33	740	87	0.74	1.8	6	1.8
	4	22	41.3	1470	88	0.92	1.7	7	
YD-200L2-8/4	8	17	40.1	740	87	0.74	1.5	6	1.8
	4	26	48.8	1470	88	0.92	1.7	7	
YD-225M-8/4	8	24	53.2	740	89	0.77	1.5	6	1.8
	4	34	66.7	1470	88	0.88	1.5	7	
YD-250M-8/4	8	30	64.9	740	90	0.78	1.6	6	1.8
	4	42	78.8	1480	89	0.91	1.7	7	
YD-280S-8/4	8	40	83.5	740	91	0.80	1.6	6	1.8
	4	55	102	1480	90	0.91	1.7	7	
YD-280M-8/4	8	47	96.9	740	91	0.81	1.6	6	1.8
	4	67	123	1480	90	0.92	1.7	7	

Rated Voltage: 380V FUNDAMENTAL FREQUENCY: 50HZ
 额定电压: 380V 频率: 50HZ

性能数据 Performance Data

型号 Type	极数 Pole	功率 kW	满载时 Full Load				堵转转矩 额定转矩 $\frac{T_{st}}{T_n}$	堵转电流 额定电流 $\frac{I_{st}}{I_n}$	最大转矩 额定转矩 $\frac{T_{max}}{T_n}$
			额定电流 Current A	转速 r/min	效率 Eff $\eta\%$	功率因数 P.F			
同步转速 750/1000r/min									
YD-90S-8/6	8	0.35	1.6	700	56	0.60	1.8	5	1.8
	6	0.45	1.4	930	70	0.72	2.0	6	
YD-90L-8/6	8	0.45	1.9	700	59	0.60	1.7	5	1.8
	6	0.65	1.9	920	71	0.73	1.8	6	
YD-100L-8/6	8	0.75	2.9	710	65	0.60	1.8	5	1.8
	6	1.1	3.1	950	75	0.73	1.9	6	
YD-112M-8/6	8	1.3	4.5	710	72	0.61	1.7	5	1.8
	6	1.8	4.8	950	78	0.73	1.9	6	
YD-132S-8/6	8	1.8	5.8	730	76	0.62	1.6	5	1.8
	6	2.4	6.2	970	80	0.73	1.9	6	
YD-132M-8/6	8	2.6	8.2	730	78	0.62	1.9	5	1.8
	6	3.7	9.4	970	82	0.73	1.9	6	
YD-160M-8/6	8	4.5	13.3	730	83	0.62	1.6	5	1.8
	6	6	14.7	980	85	0.73	1.9	6	
YD-160L-8/6	8	6	17.5	730	84	0.62	1.6	5	1.8
	6	8	19.4	980	86	0.73	1.9	6	
YD-180M-8/6	8	7.5	21.9	730	84	0.62	1.9	5	1.8
	6	10	24.2	980	86	0.73	1.9	6	
YD-180L-8/6	8	9	24.7	730	85	0.65	1.8	5	1.8
	6	12	28.3	980	86	0.75	1.8	6	
YD-200L1-8/6	8	12	32.6	730	86	0.65	1.8	5	1.8
	6	17	39.1	980	87	0.76	2.0	6	
YD-200L2-8/6	8	15	40.3	730	87	0.65	1.8	5	1.8
	6	20	45.4	980	88	0.76	2.0	6	

性能数据 Performance Data

Rated Voltage: 380V FUNDAMENTAL FREQUENCY: 50HZ

额定电压: 380V 频率: 50HZ

型号 Type	极数 Pole	功率 kW	满载时 Full Load				堵转转矩 额定转矩 $\frac{T_{st}}{T_n}$	堵转电流 额定电流 $\frac{I_{st}}{I_n}$	最大转矩 额定转矩 $\frac{T_{max}}{T_n}$
			额定电流 Current A	转速 r/min	效率 Eff $\eta\%$	功率因数 P.F			
同步转速 500/1000r/min									
YD-160M-12/6	12	2.6	11.6	480	74	0.46	1.2	4	1.8
	6	5	11.9	970	84	0.76	1.4	6	
YD-160L-12/6	12	3.7	16.1	480	76	0.46	1.2	4	1.8
	6	7	15.8	970	85	0.79	1.4	6	
YD-180L-12/6	12	5.5	19.6	490	79	0.54	1.3	4	1.8
	6	10	20.5	980	86	0.86	1.3	6	
YD-200L1-12/6	12	7.5	24.5	485	83	0.56	1.5	4	1.8
	6	13	26.4	980	87	0.86	1.5	6	
YD-200L2-12/6	12	9	28.9	485	83	0.57	1.5	4	1.8
	6	15	30.1	980	87	0.87	1.5	6	
YD-225M-12/6	12	12	35.2	485	85	0.61	1.5	4	1.8
	6	20	39.7	980	88	0.87	1.5	6	
YD-250M-12/6	12	15	42.1	490	86	0.63	1.5	4	1.8
	6	24	47.1	985	89	0.87	1.5	6	
YD-280S-12/6	12	20	54.8	490	88	0.63	1.5	4	1.8
	6	30	58.9	985	89	0.87	1.5	6	
YD-280M-12/6	12	24	63.8	490	88	0.65	1.5	4	1.8
	6	37	72.6	985	89	0.87	1.5	6	
同步转速 1000/1500/3000r/min									
YD-100L-6/4/2	6	0.75	2.6	950	67	0.65	1.8	5.5	1.8
	4	1.3	3.7	1450	72	0.75	1.6	6	
	2	1.8	4.5	2900	71	0.85	1.6	7	
YD-112M-6/4/2	6	1.1	3.5	960	73	0.65	1.7	5.5	1.8
	4	2	5.1	1450	74	0.81	1.4	6	
	2	2.4	5.8	2920	74	0.85	1.6	7	
YD-132S-6/4/2	6	1.8	5.1	970	75	0.71	1.4	5.5	1.8
	4	2.6	6.1	1460	78	0.83	1.3	6	
	2	3	7.4	2910	71	0.87	1.7	7	
YD-132M1-6/4/2	6	2.2	6	970	77	0.72	1.3	5.5	1.8
	4	3.3	7.5	1460	80	0.84	1.3	6	
	2	4	8.8	2910	76	0.91	1.7	7	
YD-132M2-6/4/2	6	2.6	6.9	970	80	0.72	1.5	5.5	1.8
	4	4	9	1460	80	0.84	1.4	6	
	2	5	10.8	2910	77	0.91	1.7	7	
YD-160M-6/4/2	6	3.7	9.5	980	82	0.72	1.5	5.5	1.8
	4	5	11.2	1470	81	0.84	1.3	6	
	2	6	13.5	2930	76	0.91	1.4	7	
YD-160L-6/4/2	6	4.5	11.4	980	83	0.72	1.5	5.5	1.8
	4	7	15.1	1470	83	0.85	1.2	6	
	2	9	18.8	2930	79	0.92	1.3	7	

性能数据 Performance Data

Rated Voltage: 380V FUNDAMENTAL FREQUENCY: 50HZ
额定电压: 380V 频率: 50HZ

型号 Type	极数 Pole	功率 kW	满载时 Full Load				堵转转矩 额定转矩 $\frac{T_{st}}{T_n}$	堵转电流 额定电流 $\frac{I_{st}}{I_n}$	最大转矩 额定转矩 $\frac{T_{max}}{T_n}$
			额定电流 Current A	转速 r/min	效率 Eff $\eta\%$	功率因数 P.F			
同步转速 750/1500/3000 r/min									
YD-112M-8/4/2	8	0.65	2.7	700	59	0.63	1.4	4.5	1.8
	4	2	5.1	1450	74	0.81	1.3	6	
	2	2.4	5.8	2920	74	0.85	1.2	7	
YD-132S-8/4/2	8	1	3.6	720	69	0.61	1.4	4.5	1.8
	4	2.6	6.1	1460	78	0.83	1.2	6	
	2	3	7.1	2910	74	0.87	1.4	7	
YD-132M-8/4/2	8	1.3	4.6	720	71	0.61	1.5	4.5	1.8
	4	3.7	8.4	1460	80	0.84	1.3	6	
	2	4.5	10	2910	75	0.91	1.4	7	
YD-160M-8/4/2	8	2.2	7.6	720	75	0.59	1.4	4.5	1.8
	4	5	11.2	1440	81	0.84	1.3	6	
	2	6	13.2	2910	76	0.91	1.4	7	
YD-160L-8/4/2	8	2.8	9.2	720	77	0.60	1.3	4.5	1.8
	4	7	15.1	1440	83	0.85	1.2	6	
	2	9	18.8	2910	79	0.92	1.3	7	
同步转速 750/1000/1500 r/min									
YD-112M-8/6/4	8	0.85	3.7	710	62	0.56	1.7	5.5	1.8
	6	1	3.1	950	68	0.73	1.3	6.5	
	4	1.5	3.5	1440	75	0.86	1.5	7	
YD-132S-8/6/4	8	1.1	4.1	730	68	0.60	1.4	5.5	1.8
	6	1.5	4.2	970	74	0.73	1.3	6.5	
	4	1.8	4	1460	78	0.87	1.3	7	
YD-132M1-8/6/4	8	1.5	5.2	730	71	0.62	1.3	5.5	1.8
	6	2	5.4	970	77	0.73	1.5	6.5	
	4	2.2	4.9	1460	79	0.87	1.4	7	
YD-132M2-8/6/4	8	1.8	6.1	730	72	0.62	1.5	5.5	1.8
	6	2.6	6.8	970	78	0.74	1.5	6.5	
	4	3	6.5	1460	80	0.87	1.5	7	
YD-160M-8/6/4	8	3.3	10.2	720	79	0.62	1.7	5.5	1.8
	6	4	9.9	960	81	0.76	1.4	6.5	
	4	5.5	11.6	1440	83	0.87	1.5	7	

性能数据 Performance Data

Rated Voltage: 380V FUNDAMENTAL FREQUENCY: 50HZ

额定电压: 380V 频率: 50HZ

型号 Type	极数 Pole	功率 kW	满载时 Full Load				堵转转矩 额定转矩 $\frac{T_{st}}{T_n}$	堵转电流 额定电流 $\frac{I_{st}}{I_n}$	最大转矩 额定转矩 $\frac{T_{max}}{T_n}$
			额定电流 Current A	转速 r/min	效率 Eff $\eta\%$	功率因数 P.F			
同步转速 750/1000/1500 r/min									
YD-160L-8/6/4	8	4.5	13.8	720	80	0.62	1.6	5.5	1.8
	6	6	14.5	960	83	0.76	1.6	6.5	
	4	7.5	15.6	1440	84	0.87	1.5	7	
YD-180L-8/6/4	8	7	20.2	740	81	0.65	1.6	6.5	1.8
	6	9	20.6	980	83	0.80	1.5	7	
	4	12	24.1	1470	84	0.90	1.4	7	
YD-200L-8/6/4	8	10	24.8	730	85	0.72	1.6	6.5	1.8
	6	13	28.4	975	86	0.81	1.5	7	
	4	17	33.4	1465	86	0.90	1.4	7	
YD-225S-8/6/4	8	14	35.3	735	86	0.70	1.6	6.5	1.8
	6	18.5	39.9	980	87	0.81	1.6	7	
	4	24	46.6	1470	87	0.90	1.4	7	
YD-225M-8/6/4	8	17	42.4	735	87	0.70	1.6	6.7	1.8
	6	22	45.2	980	87	0.85	1.6	7	
	4	28	54.3	1470	87	0.90	1.4	7	
YD-250M-8/6/4	8	24	55.3	740	88	0.75	1.5	6.5	1.8
	6	26	52.8	985	88	0.85	1.6	7	
	4	34	63.8	1470	88	0.92	1.4	7	
YD-280S-8/6/4	8	30	68.3	740	89	0.75	1.5	6.5	1.8
	6	34	67.5	985	89	0.86	1.6	7	
	4	42	77.9	1475	89	0.92	1.4	7	
YD-280M-8/6/4	8	34	77.4	740	89	0.75	1.4	6.5	1.8
	6	37	73.4	985	89	0.86	1.5	7	
	4	50	92.8	1475	89	0.92	1.4	7	

Rated Voltage: 380V FUNDAMENTAL FREQUENCY: 50HZ
 额定电压: 380V 频率: 50HZ

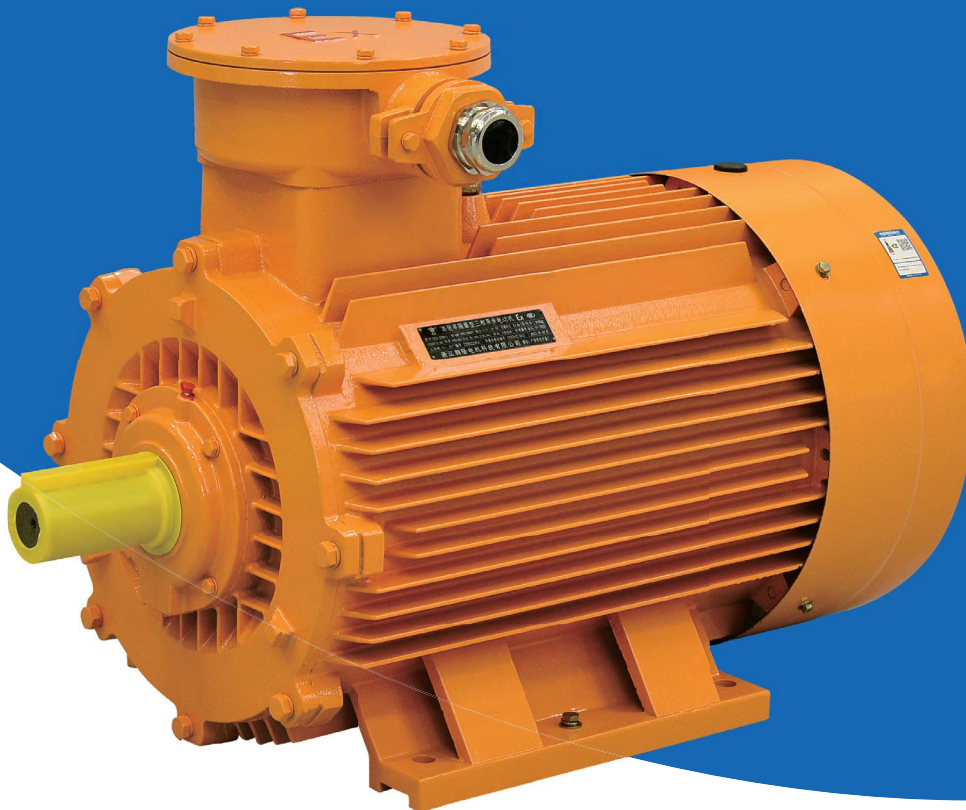
性能数据 Performance Data

型号 Type	极数 Pole	功率 kW	满载时 Full Load				堵转转矩 额定转矩 $\frac{T_{st}}{T_n}$	堵转电流 额定电流 $\frac{I_{st}}{I_n}$	最大转矩 额定转矩 $\frac{T_{max}}{T_n}$
			额定电流 Current A	转速 r/min	效率 Eff η%	功率因数 P.F			
同步转速 500/750/1000/1500 r/min									
YD-225M-12/8/6/4	12	3.3	12.7	480	72	0.55	1.6	5	1.8
	8	5	15.5	735	79	0.62	1.5	6.5	
	6	6.5	13.7	970	82	0.88	1.3	6.5	
	4	9	18.5	1480	83	0.89	1.3	7	
YD-250M-12/8/6/4	12	4.5	16.5	480	74	0.56	1.3	5	1.8
	8	7	19.6	735	81	0.67	1.3	6.5	
	6	8	16.6	975	83	0.88	1.3	6.5	
	4	11	23	1480	84	0.88	1.3	7	
YD-280S-12/8/6/4	12	5.5	19.9	480	75	0.56	1.3	5	1.8
	8	8	22	735	81	0.67	1.3	6.5	
	6	10	21	975	83	0.88	1.3	6.5	
	4	13	27	1480	84	0.88	1.3	7	
YD-280M-12/8/6/4	12	7	21	485	81	0.63	1.6	5	1.8
	8	11	28	740	84	0.72	1.6	6.5	
	6	13	26	980	85	0.88	1.5	6.5	
	4	20	39	1480	86	0.90	1.3	7	
YD-180L-12/8/6/4	12	9	27	485	82	0.63	1.6	5	1.8
	8	14	34	740	85	0.73	1.6	6.5	
	6	16	33	980	85	0.88	1.5	6.5	
	4	26	49	1480	87	0.92	1.3	7	
YD-200L1-12/8/6/4	12	11	32	490	83	0.63	1.6	5	1.8
	8	18.5	43	740	87	0.75	1.6	6.5	
	6	20	41	985	85	0.88	1.5	6.5	
	4	34	65	1485	87	0.92	1.3	7	
YD-200L2-12/8/6/4	12	13	37	490	84	0.63	1.7	5	1.8
	8	22	51	740	87	0.75	1.7	6.5	
	6	24	49	985	85	0.88	1.6	6.5	
	4	40	75	1485	88	0.92	1.5	7	

YBX4-BT4 系列隔爆型超高效率三相异步电动机

YBX4-BT4 series superior efficiency flameproof three phase asynchronous motor

- 环境温度：-15°C~40°C
- 海拔：不超过1000米
- 额定功率：0.18kW-315kW
- 机座：H63-H355
- 机座材质：铸铁
- 额定电压：220V-1140V
- 频率：50Hz/60Hz
- 防护等级：IP54/IP55/IP56/IP65
- 绝缘等级：F/H
- 工作制：S1-S6
- Ambient Temperature: -15 °C~40 °C
- Altitude: up to 1000 meters
- Rated Power: 0.18kW-315kW
- Frame Size: H63-H355
- Frame Material: Cast Iron
- Rated Voltage: 220V-1140V
- Rated Frequency: 50Hz/60Hz
- Ingress Protection: IP54/IP55/IP56/IP65
- Insulation Class: F/H
- Work Duty: S1-S6



电机介绍

Introduction to Motors

YBX4-BT4系列隔爆型超高效率三相异步电动机是采用新材料、新工艺和优化设计而制造的全封闭、自扇冷鼠笼三相异步电动机，新一代的节能产品。YBX4-BT4系列电机具有效率高，起动转矩大，噪声低，结构更加合理，冷却散热条件成熟等特点。本系列电机为一般用途的三相异步电动机，可用于驱动各种通用机械设备，如压缩机、风机、水泵等机械设备，也可应用在石油、化工、医药、矿山等领域。在YBX4基本系列电机基础上，可制成YBX4-W户外型、YBX4-TH户内湿热带型、YBX4-THW户外湿热带型、YBX4-TA户内干热带型、YBX4-TAW户外干热带型、YBX4-FI户内中等腐蚀型、YBX4-WFI户外中等腐蚀型、YBX4-F2户内强腐蚀型及YBX4-WF2户外强腐蚀型等衍生产品。该系列电机效率指标符合GB18613-2020《中小型三相异步电动机能效限定值及能效等级》中规定的能效2级的效率值，与IEC60034-30的IE4保持一致。YBX4系列电机防爆性能符合GB3836.1-2021《爆炸性环境第1部分：设备通用要求》和GB3836.2-2021《爆炸性环境第2部分：由隔爆外壳“d”保护的设备的规定，制成隔爆型。YBX4系列电机防爆标志分为：Ex db I AT4/BT4 Mb、Ex db II AT4/BT4/CT4 Gb，其中Ex db I AT4/BT4 Mb适用于有甲烷或煤尘爆炸性气体混合物存在的煤矿工作面环境；Ex db II AT4/BT4/CT4 Gb适用于工厂用类A级、B级、C级，温度组别为T1、T2、T3、T4、和T5组的爆炸性气体混合物存在的环境。

YBX4-BT4 series superior efficiency flameproof three phase asynchronous motor adapts new materials, new technology and optimized design. As a new generation of energy-saving product, it is a totally enclosed, fan-cooling and squirrel cage motor. YBX4-BT4 series motors have the characteristics of high efficiency, high starting torque, low noise, better structure and mature cooling system. It is a general-purpose series, which can be used to drive different kinds of general equipment, such as compressors, fans, water pumps and so on. It can also be used in petroleum, chemical industry, medicine, mining and other fields. On the basis of YBX4 series motors, more derivative products can be accomplished, such as YBX4-W outdoor type, YBX4-TH indoor wet tropical type, YBX4-THW outdoor wet tropical type, YBX4-TA indoor dry tropical type, YBX4-TAW outdoor dry tropical type, YBX4-FI indoor medium corrosion type, YBX4-WFI outdoor medium corrosion type, YBX4-F2 indoor strong corrosion type and YBX4-WF2 outdoor strong corrosion type. The efficiency class is in accordance with Chinese national standard GB18613-2020 class II, as well as IEC60034-30 superior efficiency standard (IE4). YBX4 series motor has the flameproof performance meeting the regulations of GB3836.1-2021 <part 1: general requirement of electric equipment applied under explosive atmospheres> and GB3836.2-2010 <part 2: flameproof d of electric equipment applied under explosive atmospheres>, as well as IEC79-1. YBX4 series motor could be marked as Ex db I AT4/BT4 Mb, Ex db II AT4/BT4/CT4 Gb. Ex db I AT4/BT4 Mb are applied in the non-excavation working condition and coal mine with methane or coal dust, Ex db II AT4/BT4/CT4 Gb are applied in the condition of explosion-proof gas compound with Factory II type, Grade A&B&C, temperature T1, T2, T3, T4 and T5.

YBX4-BT4系列电机技术参数

Technical Data-YBX4-BT4 Motor-2 Poles-50Hz

电机型号 Type	额定功率 Rated Output		满载时 Full Load								额定转矩 Rated Torque (Tn)	堵转转矩 堵转转矩 额定转矩	最大转矩 最大转矩 额定转矩	堵转电流 堵转电流 额定电流	噪声 Noise	重量 Weight
			转速 Speed	电流 Input Current (A)			效率 Efficiency η%			功率因素 Power Factor						
	kW	HP		r/min	380V	400V	416V	50% Load	75% Load		100% Load	CosΦ	N.m	Tst/Tn	Tmax/Tn	Ist/In
YBX4-63M1-2	0.18	0.25	2780	0.48	0.46	0.44	69.4	70.8	70.8	0.80	0.62	2.2	2.3	5.0	61	9
YBX4-63M2-2	0.25	0.37	2780	0.63	0.60	0.58	72.8	74.3	74.3	0.81	0.86	2.2	2.3	5.0	61	10
YBX4-71M1-2	0.37	0.5	2800	0.89	0.84	0.81	76.5	78.1	78.1	0.81	1.26	2.2	2.3	5.5	64	12
YBX4-71M2-2	0.55	0.75	2800	1.24	1.17	1.13	79.9	81.5	81.5	0.83	1.88	2.2	2.3	5.5	64	13
YBX4-80M1-2	0.75	1	2825	1.64	1.56	1.51	81.8	83.5	83.5	0.83	2.54	2.2	2.3	8.5	62	15
YBX4-80M2-2	1.1	1.5	2825	2.39	2.27	2.19	83.5	85.2	85.2	0.83	3.72	2.2	2.3	8.5	62	16.5
YBX4-90S-2	1.5	2	2840	3.14	2.98	2.87	84.8	86.5	86.5	0.85	5.04	2.2	2.3	9.0	67	20
YBX4-90L-2	2.2	3	2840	4.47	4.25	4.09	86.2	88.0	88.0	0.86	7.40	2.2	2.3	9.0	67	24
YBX4-100L-2	3	4	2870	5.88	5.59	5.38	87.3	89.1	89.1	0.87	9.98	2.2	2.3	9.5	74	31
YBX4-112M-2	4	5.5	2880	7.67	7.29	7.03	88.2	90.0	90.0	0.88	13.30	2.2	2.3	9.5	77	38
YBX4-132S1-2	5.5	7.5	2900	10.4	9.9	9.6	89.1	90.9	90.9	0.88	18.10	2.0	2.3	9.5	79	58
YBX4-132S2-2	7.5	10	2900	14.1	13.4	12.9	89.9	91.7	91.7	0.89	24.70	2.0	2.3	9.5	79	62
YBX4-160M1-2	11	15	2930	20.3	19.3	18.6	90.7	92.6	92.6	0.89	35.90	2.0	2.3	9.5	81	103



电机型号 Type	额定功率 Rated Output		满载时 Full Load								额定转矩 Rated Torque (Tn)	堵转转矩 额定转矩	最大转矩 额定转矩	堵转电流 额定电流	噪声 Noise	重量 Weight
			转速 Speed	电 流 Input Current (A)			效 率 Efficiency η%			功率因素 Power Factor CosΦ						
	kW	HP		r/min	380V	400V	416V	50% Load	75% Load		100% Load	N.m	Tst/Tn	Tmax/Tn	Ist/In	dB(A)
YBX4-160M2-2	15	20	2930	27.4	26.1	25.1	91.4	93.3	93.3	0.89	48.90	2.0	2.3	9.5	81	112
YBX4-160L-2	18.5	25	2930	33.7	32.0	30.9	91.8	93.7	93.7	0.89	60.30	2.0	2.3	9.5	81	135
YBX4-180M-2	22	30	2940	40.0	38.0	36.6	92.1	94.0	94.0	0.89	71.50	2.0	2.3	9.5	83	165
YBX4-200L1-2	30	40	2950	54.2	51.5	49.6	92.6	94.5	94.5	0.89	97.10	2.0	2.3	9.0	84	215
YBX4-200L2-2	37	50	2950	66.6	63.3	61.0	92.9	94.8	94.8	0.89	119.8	2.0	2.3	9.0	84	232
YBX4-225M-2	45	60	2960	80.9	76.8	74.0	93.1	95.0	95.0	0.89	145.2	2.0	2.3	9.0	86	285
YBX4-250M-2	55	75	2965	98.5	93.6	90.2	93.4	95.3	95.3	0.89	177.2	2.0	2.3	9.0	89	375
YBX4-280S-2	75	100	2970	133.9	127.2	122.6	93.7	95.6	95.6	0.89	241.2	1.8	2.3	8.5	91	500
YBX4-280M-2	90	120	2970	160.4	152.4	146.9	93.9	95.8	95.8	0.89	289.4	1.8	2.3	8.5	91	550
YBX4-315S-2	110	150	2975	195.6	185.8	179.1	94.1	96.0	96.0	0.89	353.1	1.8	2.2	8.5	92	860
YBX4-315M-2	132	180	2975	234.2	222.5	214.5	94.3	96.2	96.2	0.89	423.7	1.8	2.2	8.5	92	960
YBX4-315L1-2	160	220	2975	283.6	269.5	259.7	94.4	96.3	96.3	0.89	513.6	1.8	2.2	8.5	92	1020
YBX4-315L2-2	200	270	2975	353.8	336.1	324.0	94.6	96.5	96.5	0.89	642.0	1.8	2.2	8.5	92	1080
YBX4-355M-2	250	340	2980	432.6	410.9	396.1	94.6	96.5	96.5	0.91	801.2	1.6	2.2	8.5	97	1700
YBX4-355L-2	315	430	2980	545.0	517.8	499.1	94.6	96.5	96.5	0.91	1009.5	1.6	2.2	8.5	97	1850

YBX4-BT4系列电机技术参数

Technical Data-YBX4-BT4 Motor-4 Poles-50Hz

电机型号 Type	额定功率 Rated Output		满载时 Full Load								额定转矩 Rated Torque (Tn)	堵转转矩 额定转矩	最大转矩 额定转矩	堵转电流 额定电流	噪声 Noise	重量 Weight
			转速 Speed	电 流 Input Current (A)			效 率 Efficiency η%			功率因素 Power Factor CosΦ						
	kW	HP		r/min	380V	400V	416V	50% Load	75% Load		100% Load	N.m	Tst/Tn	Tmax/Tn	Ist/In	dB(A)
YBX4-63M1-4	0.12	0.18	1350	0.36	34	0.33	684	69.8	69.8	0.72	0.85	2.0	2.2	4.0	52	8
YBX4-63M2-4	0.18	0.25	1350	0.50	0.48	0.46	73.2	74.7	74.7	0.73	1.27	2.0	2.2	4.0	52	9
YBX4-71M1-4	0.25	0.37	1380	0.66	0.63	0.60	76.3	77.9	77.9	0.74	1.73	2.0	2.2	4.0	55	10
YBX4-71M2-4	0.37	0.50	1380	0.92	0.88	0.85	79.5	81.1	81.1	0.75	2.56	2.0	2.2	4.0	55	12
YBX4-80M1-4	0.55	0.75	1390	1.33	1.26	1.22	82.2	83.9	83.9	0.75	3.78	2.4	2.3	5.2	56	14.5
YBX4-80M2-4	0.75	1	1390	1.75	1.66	1.60	84.0	85.7	85.7	0.74	5.15	2.3	2.3	8.5	56	15
YBX4-90S-4	1.1	1.5	1400	2.49	2.36	2.28	85.5	87.2	87.2	0.75	7.50	2.3	2.3	8.5	59	19
YBX4-90L-4	1.5	2	1400	3.27	3.11	3.00	86.4	88.2	88.2	0.76	10.20	2.3	2.3	9.0	59	23
YBX4-100L1-4	2.2	3	1420	4.61	4.38	4.22	87.7	89.5	89.5	0.79	14.80	2.3	2.3	9.0	64	30
YBX4-100L2-4	3	4	1420	6.15	5.84	5.63	88.6	90.4	90.4	0.80	20.20	2.3	2.3	9.5	64	33
YBX4-112M-4	4	5.5	1440	8.14	7.73	7.45	89.3	91.1	91.1	0.80	26.50	2.3	2.3	9.5	65	43
YBX4-132S-4	5.5	7.5	1440	11.0	10.4	10.0	90.1	91.9	91.9	0.80	36.50	2.0	2.3	9.5	71	60

电机型号 Type	额定功率 Rated Output		满载时 Full Load								额定转矩 Rated Torque (Tn)	堵转转矩 额定转矩	最大转矩 额定转矩	堵转电流 额定电流	噪声 Noise	重量 Weight
			转速 Speed	电流 Input Current (A)			效率 Efficiency η%			功率因素 Power Factor						
	kW	HP		r/min	380V	400V	416V	50% Load	75% Load		100% Load	CosΦ	N.m	Tst/Tn	Tmax/Tn	Ist/In
YBX4-132M-4	7.5	10	1440	14.7	13.9	13.4	90.7	92.6	92.6	0.81	49.70	2.0	2.3	9.5	71	69
YBX4-160M-4	11	15	1460	21.3	20.3	19.5	91.4	93.3	93.3	0.83	72.00	2.0	2.3	9.5	73	107
YBX4-160L-4	15	20	1460	28.6	27.1	26.1	92.0	93.9	93.9	0.84	98.10	2.0	2.3	9.5	73	13
YBX4-180M-4	18.5	25	1465	34.7	33.0	31.8	92.3	94.2	94.2	0.85	120.6	2.0	2.3	9.5	73	162
YBX4-180L-4	22	30	1465	41.1	39.1	37.7	92.6	94.5	94.5	0.85	143.4	2.0	2.3	9.5	73	175
YBX4-200L-4	30	40	1470	55.9	53.1	51.1	93.0	94.9	94.9	0.85	194.9	2.0	2.3	9.0	76	227
YBX4-225S-4	37	50	1475	67.9	64.5	62.2	93.3	95.2	95.2	0.85	239.6	2.0	2.3	9.0	78	282
YBX4-225M-4	45	60	1475	82.4	78.3	75.4	93.5	95.4	95.4	0.85	291.4	2.0	2.3	9.0	78	315
YBX4-250M-4	55	75	1475	100.4	95.4	91.9	93.8	95.7	95.7	0.86	356.1	2.0	2.3	9.0	79	390
YBX4-280S-4	75	100	1480	136.4	129.6	124.9	94.1	96.0	96.0	0.87	484.0	2.0	2.3	8.5	80	525
YBX4-280M-4	90	120	1480	163.6	155.4	149.8	94.2	96.1	96.1	0.88	580.7	2.0	2.3	8.5	80	590
YBX4-315S-4	110	150	1480	197.2	187.4	180.6	94.4	96.3	96.3	0.89	709.8	1.8	2.2	8.5	88	900
YBX4-315M-4	132	180	1480	236.4	224.6	216.5	94.5	96.4	96.4	0.89	851.8	1.8	2.2	8.5	88	1000
YBX4-315L1-4	160	220	1480	279.6	265.6	256.0	94.7	96.6	96.6	0.90	1032.4	1.8	2.2	8.5	88	1070
YBX4-315L2-4	200	270	1480	349.2	331.7	319.7	94.8	96.7	96.7	0.90	1290.5	1.8	2.2	8.5	88	1140
YBX4-355M-4	250	340	1490	436.5	414.6	399.6	94.8	96.7	96.7	0.90	1602.3	1.8	2.2	8.5	92	1760
YBX4-355L-4	315	430	1490	549.9	522.4	503.6	94.80	96.7	96.7	0.90	2019.0	1.8	2.2	8.5	92	1920

YBX4-BT4系列电机技术参数

Technical Data-YBX4-BT4 Motor-6 Poles-50Hz

电机型号 Type	额定功率 Rated Output		满载时 Full Load								额定转矩 Rated Torque (Tn)	堵转转矩 额定转矩	最大转矩 额定转矩	堵转电流 额定电流	噪声 Noise	重量 Weight
			转速 Speed	电流 Input Current (A)			效率 Efficiency η%			功率因素 Power Factor						
	kW	HP		r/min	380V	400V	416V	50% Load	75% Load		100% Load	CosΦ	N.m	Tst/Tn	Tmax/Tn	Ist/In
YBX4-71M1-6	0.18	0.25	860	0.59	0.56	0.54	68.7	70.1	70.1	0.66	2.00	1.9	2.1	4.0	52	11
YBX4-71M2-6	0.25	0.37	860	0.75	0.72	0.69	72.6	74.1	74.1	0.68	2.78	1.9	2.1	4.0	52	13
YBX4-80M1-6	0.37	0.50	900	1.03	0.98	0.94	76.4	78.0	78.0	0.70	3.93	1.9	2.0	4.7	54	15.5
YBX4-80M2-6	0.55	0.75	900	1.43	1.36	1.31	79.3	80.9	80.9	0.72	5.84	1.9	2.1	4.7	54	16.5
YBX4-90S-6	0.75	1	910	1.97	1.87	1.80	81.0	82.7	82.7	0.70	7.87	2.1	2.1	7.5	57	20
YBX4-90L-6	1.1	1.5	910	2.83	2.68	2.59	82.8	84.5	84.5	0.70	11.54	2.1	2.1	7.5	57	24
YBX4-100L-6	1.5	2	930	3.74	3.55	3.42	84.2	85.9	85.9	0.71	15.40	2.1	2.1	7.5	61	29
YBX4-112M-6	2.2	3	940	5.39	5.12	4.93	85.7	87.4	87.4	0.71	22.35	2.1	2.1	7.5	65	37
YBX4-132S-6	3	4	960	7.25	6.88	6.63	86.8	88.6	88.6	0.71	29.85	2.0	2.1	7.5	69	53
YBX4-132M1-6	4	5.5	960	9.43	8.96	8.64	87.7	89.5	89.5	0.72	39.80	2.0	2.1	8.0	65	64



电机型号 Type	额定功率 Rated Output		满载时 Full Load								额定转矩 Rated Torque (Tn)	堵转转矩 额定转矩	最大转矩 额定转矩	堵转电流 额定电流	噪声 Noise	重量 Weight
			转速 Speed	电流 Input Current (A)			效率 Efficiency η%			功率因素 Power Factor CosΦ						
	kW	HP		r/min	380V	400V	416V	50% Load	75% Load		100% Load	N.m	Tst/Tn	Tmax/Tn	Ist/In	dB(A)
YBX4-132M2-6	5.5	7.5	960	12.8	12.2	11.7	88.7	90.5	90.5	0.72	54.70	2.0	2.1	8.0	69	72
YBX4-160M-6	7.5	10	970	16.4	15.6	15.0	89.5	91.3	91.3	0.76	73.85	2.0	2.1	8.0	73	97
YBX4-160L-6	11	15	970	23.5	22.3	21.5	90.5	92.3	92.3	0.77	108.3	2.0	2.1	8.5	73	126
YBX4-180L-6	15	20	970	30.7	29.1	28.1	91.0	92.9	92.9	0.80	147.7	2.0	2.1	8.5	73	166
YBX4-200L1-6	18.5	25	975	37.6	35.7	34.4	91.5	93.4	93.4	0.80	181.2	2.0	2.1	8.5	73	205
YBX4-200L2-6	22	30	975	44.0	41.8	40.3	91.8	93.7	93.7	0.81	215.5	2.0	2.1	8.5	73	220
YBX4-225M-6	30	40	980	59.0	56.1	54.0	92.3	94.2	94.2	0.82	292.3	2.0	2.1	8.5	74	290
YBX4-250M-6	37	50	980	71.7	68.1	65.6	92.6	94.5	94.5	0.83	360.5	2.0	2.1	8.5	76	370
YBX4-280S-6	45	60	980	86.9	82.6	79.6	92.9	94.8	94.8	0.83	438.5	2.0	2.0	8.5	78	490
YBX4-280M-6	55	75	980	104.6	99.4	95.8	93.2	95.1	95.1	0.84	535.9	2.0	2.0	8.5	78	540
YBX4-315S-6	75	100	985	142.2	135.1	130.2	93.5	95.4	95.4	0.84	727.1	1.6	2.0	8.0	83	850
YBX4-315M-6	90	120	985	168.3	159.9	154.1	93.7	95.6	95.6	0.85	872.5	1.6	2.0	8.0	83	960
YBX4-315L1-6	110	150	985	205.2	195.0	187.9	93.9	95.8	95.8	0.85	1066.4	1.6	2.0	8.0	83	1060
YBX4-315L2-6	132	180	985	242.9	230.8	222.4	94.1	96.0	96.0	0.86	1279.7	1.6	2.0	8.0	83	1120
YBX4-355M1-6	160	220	990	293.8	279.2	269.1	94.3	96.2	96.2	0.86	1543.3	1.6	2.0	8.0	85	1680
YBX4-355M2-6	200	270	990	366.9	348.6	336.0	94.4	96.3	96.3	0.86	1929.1	1.6	2.0	8.0	91	1780
YBX4-355L-6	250	340	990	457.7	434.8	419.1	94.6	96.5	96.5	0.86	2411.4	1.6	2.0	8.0	91	1950

YBX4-BT4系列电机技术参数

Technical Data-YBX4-BT4 Motor-8 Poles-50Hz

电机型号 Type	额定功率 Rated Output		满载时 Full Load								额定转矩 Rated Torque (Tn)	堵转转矩 额定转矩	最大转矩 额定转矩	堵转电流 额定电流	噪声 Noise	重量 Weight
			转速 Speed	电流 Input Current (A)			效率 Efficiency η%			功率因素 Power Factor CosΦ						
	kW	HP		r/min	380V	400V	416V	50% Load	75% Load		100% Load	N.m	Tst/Tn	Tmax/Tn	Ist/In	dB(A)
YBX4-80M1-8	0.18	0.25	650	0.67	0.63	0.61	65.9	67.2	67.2	0.61	2.64	1.8	1.9	3.3	52	15.5
YBX4-80M2-8	0.25	0.37	650	0.88	0.84	0.81	69.4	70.8	70.8	0.61	3.67	1.8	1.9	3.3	52	16.5
YBX4-90S-8	0.37	0.50	660	1.24	1.18	1.14	72.8	74.3	74.3	0.61	5.35	1.8	1.9	4.0	56	20
YBX4-90L-8	0.55	0.75	660	1.78	1.69	1.63	75.5	77.0	77.0	0.61	7.96	1.8	2.0	4.0	56	24
YBX4-100L1-8	0.75	1.00	690	2.20	2.09	2.02	76.8	78.4	78.4	0.66	10.40	1.8	2.0	7.0	59	30
YBX4-100L2-8	1.1	1.5	690	3.09	2.93	2.83	79.2	80.8	80.8	0.67	15.20	2.0	2.0	7.0	59	32
YBX4-112M-8	1.5	2.0	700	4.00	3.80	3.66	80.9	82.6	82.6	0.69	20.50	2.0	2.0	7.0	61	40
YBX4-132S-8	2.2	3.0	710	5.65	5.37	5.17	82.8	84.5	84.5	0.70	29.60	1.8	2.0	7.5	64	52
YBX4-132M-8	3.0	4.0	710	7.58	7.20	6.94	84.2	85.9	85.9	0.70	40.40	1.8	2.0	7.8	64	63

电机型号 Type	额定功率 Rated Output		满载时 Full Load								额定转矩 Rated Torque (Tn)	堵转转矩 额定转矩	最大转矩 额定转矩	堵转电流 额定电流	噪声 Noise	重量 Weight
			转速 Speed	电流 Input Current (A)			效率 Efficiency η%			功率因素 Power Factor						
	kW	HP		r/min	380V	400V	416V	50% Load	75% Load		100% Load	CosΦ	N.m	Tst/Tn	Tmax/Tn	Ist/In
YBX4-160M1-8	4.0	5.5	720	9.8	9.34	9.00	85.4	87.1	87.1	0.71	53.10	1.8	2.0	7.9	68	90
YBX4-160M2-8	5.5	7.5	720	13.1	12.5	12.0	86.5	88.3	88.3	0.72	73.00	1.8	2.0	8.1	68	100
YBX4-160L-8	7.5	10.0	720	17.2	16.4	15.8	87.5	89.3	89.3	0.74	99.50	1.8	2.0	7.8	68	124
YBX4-180L-8	11	15	730	25.0	23.7	22.9	88.6	90.4	90.4	0.74	143.9	1.8	2.0	7.9	70	160
YBX4-200L-8	15	20	730	33.3	31.7	30.5	89.4	91.2	91.2	0.75	196.2	1.8	2.0	8.0	73	212
YBX4-225S-8	18.5	25	730	40.9	38.8	37.4	89.9	91.7	91.7	0.75	242.0	1.8	2.0	8.1	73	253
YBX4-225M-8	22	30	730	47.8	45.4	43.7	90.3	92.1	92.1	0.76	287.8	1.8	2.0	8.3	73	285
YBX4-250M-8	30	40	735	63.9	60.7	58.5	90.8	92.7	92.7	0.77	389.8	1.8	2.0	7.9	75	370
YBX4-280S-8	37	50	735	77.4	73.5	70.9	91.2	93.1	93.1	0.78	480.7	1.8	2.0	7.9	76	481
YBX4-280M-8	45	60	735	93.9	89.2	85.9	91.5	93.4	93.4	0.78	584.7	1.8	2.0	7.9	76	540
YBX4-315S-8	55	75	735	111.5	105.9	102.1	91.8	93.7	93.7	0.80	714.6	1.6	2.0	8.2	82	820
YBX4-315M-8	75	100	735	151.2	143.7	138.5	92.3	94.2	94.2	0.80	974.5	1.6	2.0	7.6	82	970
YBX4-315L1-8	90	120	740	178.8	169.9	163.8	92.5	94.4	94.4	0.81	1161.5	1.6	2.0	7.7	82	1051
YBX4-315L2-8	110	150	740	217.9	207.0	199.5	92.8	94.7	94.7	0.81	1419.6	1.6	2.0	7.7	82	1130
YBX4-355M1-8	132	180	740	260.9	247.9	238.9	93.0	94.9	94.9	0.81	1703.5	1.6	2.0	7.7	89	1720
YBX4-355M2-8	160	220	740	311.7	296.2	285.4	93.2	95.1	95.1	0.82	2064.9	1.6	2.0	7.7	89	1800
YBX4-355L-8	200	270	740	388.5	369.0	355.7	93.5	95.4	95.4	0.82	2581.1	1.6	2.0	7.8	89	1950

YBX4-BT4系列电机技术参数

Technical Data-YBX4-BT4 Motor-10 Poles-50Hz

电机型号 Type	额定功率 Rated Output		满载时 Full Load								额定转矩 Rated Torque (Tn)	堵转转矩 额定转矩	最大转矩 额定转矩	堵转电流 额定电流	噪声 Noise	重量 Weight
			转速 Speed	电流 Input Current (A)			效率 Efficiency η%			功率因素 Power Factor						
	kW	HP		r/min	380V	400V	416V	50% Load	75% Load		100% Load	CosΦ	N.m	Tst/Tn	Tmax/Tn	Ist/In
YBX4-315S-10	45	60	590	99.6	94.7	91.2	89.7	91.5	91.5	0.75	728.4	1.5	2.0	6.2	82	830
YBX4-315M-10	55	75	590	121.1	115.1	110.9	90.0	92.0	92.0	0.75	890.3	1.5	2.0	6.2	82	940
YBX4-315L1-10	75	100	590	162.1	154.0	148.4	90.2	92.5	92.5	0.76	1214.0	1.5	2.0	6.2	82	1070
YBX4-315L2-10	90	120	590	191.0	181.4	174.9	91.3	93.0	93.0	0.77	1456.8	1.5	2.0	6.2	82	1150
YBX4-355M1-10	110	150	590	229.9	218.4	210.5	91.7	93.2	93.2	0.78	1780.5	1.3	2.0	6.0	90	1660
YBX4-355M2-10	132	180	590	275.0	261.3	251.8	91.5	93.5	93.5	0.78	2136.6	1.3	2.0	6.0	90	1780
YBX4-355L-10	160	220	590	333.3	316.7	305.2	91.5	93.5	93.5	0.78	2589.8	1.3	2.0	6.0	90	1950

YBX4-CT4 系列粉尘防爆型三相异步电动机

YBX4-CT4 series dustproof and flameproof three phase asynchronous motor

- 环境温度：-15℃~40℃
- 海拔：不超过1000米
- 额定功率：0.18kW-315kW
- 机座：H63-H355
- 机座材质：铸铁
- 额定电压：220V-1140V
- 频率：50Hz/60Hz
- 防护等级：IP54/IP55/IP56/IP65
- 绝缘等级：F/H
- 工作制：S1-S6
- Ambient Temperature: -15 °C~40 °C
- Altitude: up to 1000 meters
- Rated Power: 0.18kW-315kW
- Frame Size: H63-H355
- Frame Material: Cast Iron
- Rated Voltage: 220V-1140V
- Rated Frequency: 50Hz/60Hz
- Ingress Protection: IP54/IP55/IP56/IP65
- Insulation Class: F/H
- Work Duty: S1-S6



电机介绍

Introduction to Motors

YBX4-CT4系列粉尘防爆型三相异步电动机是按照国家标准GB12476.1-2013《可燃性粉尘环境用电气设备第1部分:通用要求》及GB12476.5-2013《可燃性粉尘环境用电气设备第5部分:外壳保护型“tD”》的规定,制成粉尘防爆型。防爆标志为 Ex tD A21 IP65 T130°C、Ex tD A22 IP65 T130°C。分别适用于工厂中具有温度级别为T1、T2、T3、T4组,粉尘层或粉尘云与空气混合能达到爆炸浓度的21区或22区场所,户内及户外具有轻微腐蚀环境、湿热带地区户内及户外具有轻微腐蚀环境、以及户外具有中等微腐蚀环境中,作为机械驱动设备。

YBX4-CT4系列粉尘防爆型三相异步电动机符合JB/T10352-2015。

YBX4-CT4 series dustproof and flameproof three phase asynchronous motor is in accordance with standard GB12476.1-2013 and GB12476.5-2013. It could be marked as Ex tD A21 IP65 T130 °C or Ex tD A22 IP65 T130 °C which is applicable to area 21 or area 22 The temperature level is T1, T2, T3 and T4. YBX4 series motor is used as mechanical equipment in different working environment, slightly and moderately corrosive, hot and damp area, indoor and outdoor.

YBX4-CT4 series dustproof and flameproof three phase

YBX4-CT4系列电机技术参数

Technical Data-YBX4-CT4 Motor-2 Poles-50Hz

电机型号 Type	额定功率 Rated Output		满载时 Full Load								额定转矩 Rated Torque (Tn)	堵转转矩 额定转矩	最大转矩 额定转矩	堵转电流 额定电流	噪声 Noise	重量 Weight
			转速 Speed	电流 Input Current (A)			效率 Efficiency η%			功率因素 Power Factor						
	kW	HP		r/min	380V	400V	416V	50% Load	75% Load		100% Load	CosΦ	N.m	Tst/Tn	Tmax/Tn	Ist/In
YBX4-63M1-2	0.18	0.25	2780	0.48	0.46	0.44	69.4	70.8	70.8	0.80	0.62	2.2	2.3	5.0	61	9
YBX4-63M2-2	0.25	0.37	2780	0.63	0.60	0.58	72.8	74.3	74.3	0.81	0.86	2.2	2.3	5.0	61	10
YBX4-71M1-2	0.37	0.5	2800	0.89	0.84	0.81	76.5	78.1	78.1	0.81	1.26	2.2	2.3	5.5	64	12
YBX4-71M2-2	0.55	0.75	2800	1.24	1.17	1.13	79.9	81.5	81.5	0.83	1.88	2.2	2.3	5.5	64	13
YBX4-80M1-2	0.75	1	2825	1.64	1.56	1.51	81.8	83.5	83.5	0.83	2.54	2.2	2.3	8.5	62	15
YBX4-80M2-2	1.1	1.5	2825	2.39	2.27	2.19	83.5	85.2	85.2	0.83	3.72	2.2	2.3	8.5	62	16.5
YBX4-90S-2	1.5	2	2840	3.14	2.98	2.87	84.8	86.5	86.5	0.85	5.04	2.2	2.3	9.0	67	20
YBX4-90L-2	2.2	3	2840	4.47	4.25	4.09	86.2	88.0	88.0	0.86	7.40	2.2	2.3	9.0	67	24
YBX4-100L-2	3	4	2870	5.88	5.59	5.38	87.3	89.1	89.1	0.87	9.98	2.2	2.3	9.5	74	31
YBX4-112M-2	4	5.5	2880	7.67	7.29	7.03	88.2	90.0	90.0	0.88	13.30	2.2	2.3	9.5	77	38
YBX4-132S1-2	5.5	7.5	2900	10.4	9.9	9.6	89.1	90.9	90.9	0.88	18.10	2.0	2.3	9.5	79	58
YBX4-132S2-2	7.5	10	2900	14.1	13.4	12.9	89.9	91.7	91.7	0.89	24.70	2.0	2.3	9.5	79	62
YBX4-160M1-2	11	15	2930	20.3	19.3	18.6	90.7	92.6	92.6	0.89	35.90	2.0	2.3	9.5	81	103
YBX4-160M2-2	15	20	2930	27.4	26.1	25.1	91.4	93.3	93.3	0.89	48.90	2.0	2.3	9.5	81	112
YBX4-160L-2	18.5	25	2930	33.7	32.0	30.9	91.8	93.7	93.7	0.89	60.30	2.0	2.3	9.5	81	135
YBX4-180M-2	22	30	2940	40.0	38.0	36.6	92.1	94.0	94.0	0.89	71.50	2.0	2.3	9.5	83	165
YBX4-200L1-2	30	40	2950	54.2	51.5	49.6	92.6	94.5	94.5	0.89	97.10	2.0	2.3	9.0	84	215
YBX4-200L2-2	37	50	2950	66.6	63.3	61.0	92.9	94.8	94.8	0.89	119.8	2.0	2.3	9.0	84	232
YBX4-225M-2	45	60	2960	80.9	76.8	74.0	93.1	95.0	95.0	0.89	145.2	2.0	2.3	9.0	86	285



电机型号 Type	额定功率 Rated Output		满载时 Full Load								额定转矩 Rated Torque (Tn)	堵转转矩 额定转矩	最大转矩 额定转矩	堵转电流 额定电流	噪声 Noise	重量 Weight
			转速 Speed	电 流 Input Current (A)			效率 Efficiency η%			功率因素 Power Factor						
	kW	HP		r/min	380V	400V	416V	50% Load	75% Load		100% Load	CosΦ	N.m	Tst/Tn	Tmax/Tn	Ist/In
YBX4-250M-2	55	75	2965	98,5	93,6	90,2	93,4	95,3	95,3	0,89	177,2	2,0	2,3	9,0	89	375
YBX4-280S-2	75	100	2970	133,9	127,2	122,6	93,7	95,6	95,6	0,89	241,2	1,8	2,3	8,5	91	500
YBX4-280M-2	90	120	2970	160,4	152,4	146,9	93,9	95,8	95,8	0,89	289,4	1,8	2,3	8,5	91	550
YBX4-315S-2	110	150	2975	195,6	185,8	179,1	94,1	96,0	96,0	0,89	353,1	1,8	2,2	8,5	92	860
YBX4-315M-2	132	180	2975	234,2	222,5	214,5	94,3	96,2	96,2	0,89	423,7	1,8	2,2	8,5	92	960
YBX4-315L1-2	160	220	2975	283,6	269,5	259,7	94,4	96,3	96,3	0,89	513,6	1,8	2,2	8,5	92	1020
YBX4-315L2-2	200	270	2975	353,8	336,1	324,0	94,6	96,5	96,5	0,89	642,0	1,8	2,2	8,5	92	1080
YBX4-355M-2	250	340	2980	432,6	410,9	396,1	94,6	96,5	96,5	0,91	801,2	1,6	2,2	8,5	97	1700
YBX4-355L-2	315	430	2980	545,0	517,8	499,1	94,6	96,5	96,5	0,91	1009,5	1,6	2,2	8,5	97	1850

YBX4-CT4系列电机技术参数

Technical Data-YBX4-CT4 Motor-4 Poles-50Hz

电机型号 Type	额定功率 Rated Output		满载时 Full Load								额定转矩 Rated Torque (Tn)	堵转转矩 额定转矩	最大转矩 额定转矩	堵转电流 额定电流	噪声 Noise	重量 Weight
			转速 Speed	电 流 Input Current (A)			效率 Efficiency η%			功率因素 Power Factor						
	kW	HP		r/min	380V	400V	416V	50% Load	75% Load		100% Load	CosΦ	N.m	Tst/Tn	Tmax/Tn	Ist/In
YBX4-63M1-4	0,12	0,18	1350	0,36	34	0,33	684	69,8	69,8	0,72	0,85	2,0	2,2	4,0	52	8
YBX4-63M2-4	0,18	0,25	1350	0,50	0,48	0,46	73,2	74,7	74,7	0,73	1,27	2,0	2,2	4,0	52	9
YBX4-71M1-4	0,25	0,37	1380	0,66	0,63	0,60	76,3	77,9	77,9	0,74	1,73	2,0	2,2	4,0	55	10
YBX4-71M2-4	0,37	0,50	1380	0,92	0,88	0,85	79,5	81,1	81,1	0,75	2,56	2,0	2,2	4,0	55	12
YBX4-80M1-4	0,55	0,75	1390	1,33	1,26	1,22	82,2	83,9	83,9	0,75	3,78	2,4	2,3	5,2	56	14,5
YBX4-80M2-4	0,75	1	1390	1,75	1,66	1,60	84,0	85,7	85,7	0,74	5,15	2,3	2,3	8,5	56	15
YBX4-90S-4	1,1	1,5	1400	2,49	2,36	2,28	85,5	87,2	87,2	0,75	7,50	2,3	2,3	8,5	59	19
YBX4-90L-4	1,5	2	1400	3,27	3,11	3,00	86,4	88,2	88,2	0,76	10,20	2,3	2,3	9,0	59	23
YBX4-100L1-4	2,2	3	1420	4,61	4,38	4,22	87,7	89,5	89,5	0,79	14,80	2,3	2,3	9,0	64	30
YBX4-100L2-4	3	4	1420	6,15	5,84	5,63	88,6	90,4	90,4	0,80	20,20	2,3	2,3	9,5	64	33
YBX4-112M-4	4	5,5	440	8,14	7,73	7,45	89,3	91,1	91,1	0,80	26,50	2,3	2,3	9,5	65	43
YBX4-132S-4	5,5	7,5	1440	11,0	10,4	10,0	90,	91,9	91,9	0,80	36,50	2,0	2,3	9,5	71	60
YBX4-132M-4	7,5	10	1440	14,7	13,9	13,4	90,7	92,6	92,6	0,81	49,70	2,0	2,3	9,5	71	69
YBX4-160M-4	11	15	1460	21,3	20,3	19,5	91,4	93,3	93,3	0,83	72,00	2,0	2,3	9,5	73	107
YBX4-160L-4	15	20	1460	28,6	27,1	26,1	92,0	93,9	93,9	0,84	98,10	2,0	2,3	9,5	73	13
YBX4-180M-4	18,5	25	1465	34,7	33,0	31,8	92,3	94,2	94,2	0,85	120,6	2,0	2,3	9,5	73	162

电机型号 Type	额定功率 Rated Output		满载时 Full Load								额定转矩 Rated Torque (Tn)	堵转转矩 额定转矩	最大转矩 额定转矩	堵转电流 额定电流	噪声 Noise	重量 Weight
			转速 Speed	电流 Input Current (A)			效率 Efficiency η%			功率因素 Power Factor						
	kW	HP		r/min	380V	400V	416V	50% Load	75% Load		100% Load	CosΦ	N.m	Tst/Tn	Tmax/Tn	Ist/In
YBX4-180L-4	22	30	1465	41.1	39.1	37.7	92.6	94.5	94.5	0.85	143.4	2.0	2.3	9.5	73	175
YBX4-200L-4	30	40	1470	55.9	53.1	51.1	93.0	94.9	94.9	0.85	194.9	2.0	2.3	9.0	76	227
YBX4-225S-4	37	50	1475	67.9	64.5	62.2	93.3	95.2	95.2	0.85	239.6	2.0	2.3	9.0	78	282
YBX4-225M-4	45	60	1475	82.4	78.3	75.4	93.5	95.4	95.4	0.85	291.4	2.0	2.3	9.0	78	315
YBX4-250M-4	55	75	1475	100.4	95.4	91.9	93.8	95.7	95.7	0.86	356.1	2.0	2.3	9.0	79	390
YBX4-280S-4	75	100	1480	136.4	129.6	124.9	94.1	96.0	96.0	0.87	484.0	2.0	2.3	8.5	80	525
YBX4-280M-4	90	120	1480	163.6	155.4	149.8	94.2	96.1	96.1	0.88	580.7	2.0	2.3	8.5	80	590
YBX4-315S-4	110	150	1480	197.2	187.4	180.6	94.4	96.3	96.3	0.89	709.8	1.8	2.2	8.5	88	900
YBX4-315M-4	132	180	1480	236.4	224.6	216.5	94.5	96.4	96.4	0.89	851.8	1.8	2.2	8.5	88	1000
YBX4-315L1-4	160	220	1480	279.6	265.6	256.0	94.7	96.6	96.6	0.90	1032.4	1.8	2.2	8.5	88	1070
YBX4-315L2-4	200	270	1480	349.2	331.7	319.7	94.8	96.7	96.7	0.90	1290.5	1.8	2.2	8.5	88	1140
YBX4-355M-4	250	340	1490	436.5	414.6	399.6	94.8	96.7	96.7	0.90	1602.3	1.8	2.2	8.5	92	1760
YBX4-355L-4	315	430	1490	549.9	522.4	503.6	94.80	96.7	96.7	0.90	2019.0	1.8	2.2	8.5	92	1920

YBX4-CT4系列电机技术参数

Technical Data-YBX4-CT4 Motor-6 Poles-50Hz

电机型号 Type	额定功率 Rated Output		满载时 Full Load								额定转矩 Rated Torque (Tn)	堵转转矩 额定转矩	最大转矩 额定转矩	堵转电流 额定电流	噪声 Noise	重量 Weight
			转速 Speed	电流 Input Current (A)			效率 Efficiency η%			功率因素 Power Factor						
	kW	HP		r/min	380V	400V	416V	50% Load	75% Load		100% Load	CosΦ	N.m	Tst/Tn	Tmax/Tn	Ist/In
YBX4-71M1-6	0.18	0.25	860	0.59	0.56	0.54	68.7	70.1	70.1	0.66	2.00	1.9	2.1	4.0	52	11
YBX4-71M2-6	0.25	0.37	860	0.75	0.72	0.69	72.6	74.1	74.1	0.68	2.78	1.9	2.1	4.0	52	13
YBX4-80M1-6	0.37	0.50	900	1.03	0.98	0.94	76.4	78.0	78.0	0.70	3.93	1.9	2.0	4.7	54	15.5
YBX4-80M2-6	0.55	0.75	900	1.43	1.36	1.31	79.3	80.9	80.9	0.72	5.84	1.9	2.1	4.7	54	16.5
YBX4-90S-6	0.75	1	910	1.97	1.87	1.80	81.0	82.7	82.7	0.70	7.87	2.1	2.1	7.5	57	20
YBX4-90L-6	1.1	1.5	910	2.83	2.68	2.59	82.8	84.5	84.5	0.70	11.54	2.1	2.1	7.5	57	24
YBX4-100L-6	1.5	2	930	3.74	3.55	3.42	84.2	85.9	85.9	0.71	15.40	2.1	2.1	7.5	61	29
YBX4-112M-6	2.2	3	940	5.39	5.12	4.93	85.7	87.4	87.4	0.71	22.35	2.1	2.1	7.5	65	37
YBX4-132S-6	3	4	960	7.25	6.88	6.63	86.8	88.6	88.6	0.71	29.85	2.0	2.1	7.5	69	53
YBX4-132M1-6	4	5.5	960	9.43	8.96	8.64	87.7	89.5	89.5	0.72	39.80	2.0	2.1	8.0	65	64
YBX4-132M2-6	5.5	7.5	960	12.8	12.2	11.7	88.7	90.5	90.5	0.72	54.70	2.0	2.1	8.0	69	72
YBX4-160M-6	7.5	10	970	16.4	15.6	15.0	89.5	91.3	91.3	0.76	73.85	2.0	2.1	8.0	73	97



电机型号 Type	额定功率 Rated Output		满载时 Full Load								额定转矩 Rated Torque (Tn)	堵转转矩 额定转矩	最大转矩 额定转矩	堵转电流 额定电流	噪声 Noise	重量 Weight
			转速 Speed r/min	电 流 Input Current (A)			效 率 Efficiency η%			功率因素 Power Factor CosΦ						
	kW	HP		380V	400V	416V	50% Load	75% Load	100% Load		N.m	Tst/Tn	Tmax/Tn	Ist/In	dB(A)	Kg
YBX4-160L-6	11	15	970	23.5	22.3	21.5	90.5	92.3	92.3	0.77	108.3	2.0	2.1	8.5	73	126
YBX4-180L-6	15	20	970	30.7	29.1	28.1	91.0	92.9	92.9	0.80	147.7	2.0	2.1	8.5	73	166
YBX4-200L1-6	18.5	25	975	37.6	35.7	34.4	91.5	93.4	93.4	0.80	181.2	2.0	2.1	8.5	73	205
YBX4-200L2-6	22	30	975	44.0	41.8	40.3	91.8	93.7	93.7	0.81	215.5	2.0	2.1	8.5	73	220
YBX4-225M-6	30	40	980	59.0	56.1	54.0	92.3	94.2	94.2	0.82	292.3	2.0	2.1	8.5	74	290
YBX4-250M-6	37	50	980	71.7	68.1	65.6	92.6	94.5	94.5	0.83	360.5	2.0	2.1	8.5	76	370
YBX4-280S-6	45	60	980	86.9	82.6	79.6	92.9	94.8	94.8	0.83	438.5	2.0	2.0	8.5	78	490
YBX4-280M-6	55	75	980	104.6	99.4	95.8	93.2	95.1	95.1	0.84	535.9	2.0	2.0	8.5	78	540
YBX4-315S-6	75	100	985	142.2	135.1	130.2	93.5	95.4	95.4	0.84	727.1	1.6	2.0	8.0	83	850
YBX4-315M-6	90	120	985	168.3	159.9	154.1	93.7	95.6	95.6	0.85	872.5	1.6	2.0	8.0	83	960
YBX4-315L1-6	110	150	985	205.2	195.0	187.9	93.9	95.8	95.8	0.85	1066.4	1.6	2.0	8.0	83	1060
YBX4-315L2-6	132	180	985	242.9	230.8	222.4	94.1	96.0	96.0	0.86	1279.7	1.6	2.0	8.0	83	1120
YBX4-355M1-6	160	220	990	293.8	279.2	269.1	94.3	96.2	96.2	0.86	1543.3	1.6	2.0	8.0	85	1680
YBX4-355M2-6	200	270	990	366.9	348.6	336.0	94.4	96.3	96.3	0.86	1929.1	1.6	2.0	8.0	91	1780
YBX4-355L-6	250	340	990	457.7	434.8	419.1	94.6	96.5	96.5	0.86	2411.4	1.6	2.0	8.0	91	1950

YBX4-CT4系列电机技术参数

Technical Data-YBX4-CT4 Motor-8 Poles-50Hz

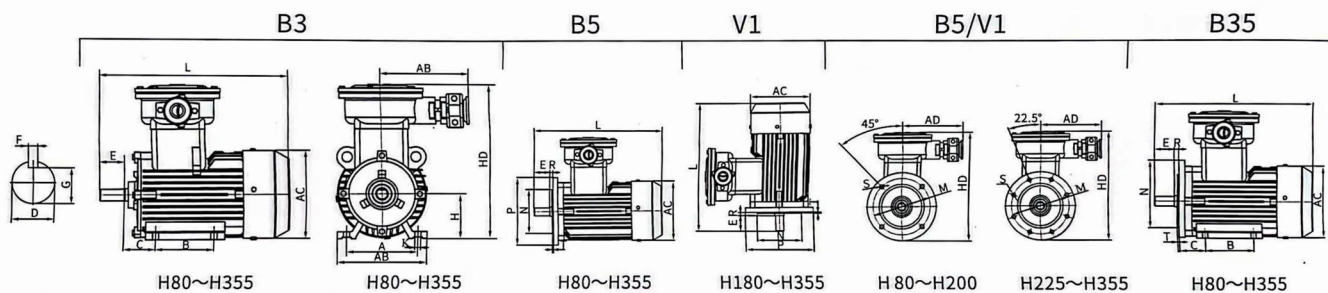
电机型号 Type	额定功率 Rated Output		满载时 Full Load								额定转矩 Rated Torque (Tn)	堵转转矩 额定转矩	最大转矩 额定转矩	堵转电流 额定电流	噪声 Noise	重量 Weight
			转速 Speed r/min	电 流 Input Current (A)			效 率 Efficiency η%			功率因素 Power Factor CosΦ						
	kW	HP		380V	400V	416V	50% Load	75% Load	100% Load		N.m	Tst/Tn	Tmax/Tn	Ist/In	dB(A)	Kg
YBX4-80M1-8	0.18	0.25	650	0.67	0.63	0.61	65.9	67.2	67.2	0.61	2.64	1.8	1.9	3.3	52	15.5
YBX4-80M2-8	0.25	0.37	650	0.88	0.84	0.81	69.4	70.8	70.8	0.61	3.67	1.8	1.9	3.3	52	16.5
YBX4-90S-8	0.37	0.50	660	1.24	1.18	1.14	72.8	74.3	74.3	0.61	5.35	1.8	1.9	4.0	56	20
YBX4-90L-8	0.55	0.75	660	1.78	1.69	1.63	75.5	77.0	77.0	0.61	7.96	1.8	2.0	4.0	56	24
YBX4-100L1-8	0.75	1.00	690	2.20	2.09	2.02	76.8	78.4	78.4	0.66	10.40	1.8	2.0	7.0	59	30
YBX4-100L2-8	1.1	1.5	690	3.09	2.93	2.83	79.2	80.8	80.8	0.67	15.20	2.0	2.0	7.0	59	32
YBX4-112M-8	1.5	2.0	700	4.00	3.80	3.66	80.9	82.6	82.6	0.69	20.50	2.0	2.0	7.0	61	40
YBX4-132S-8	2.2	3.0	710	5.65	5.37	5.17	82.8	84.5	84.5	0.70	29.60	1.8	2.0	7.5	64	52
YBX4-132M-8	3.0	4.0	710	7.58	7.20	6.94	84.2	85.9	85.9	0.70	40.40	1.8	2.0	7.8	64	63
YBX4-160M1-8	4.0	5.5	720	9.8	9.34	9.00	85.4	87.1	87.1	0.71	53.10	1.8	2.0	7.9	68	90

电机型号 Type	额定功率 Rated Output		满载时 Full Load								额定转矩 Rated Torque (Tn)	堵转转矩 额定转矩	最大转矩 额定转矩	堵转电流 额定电流	噪声 Noise	重量 Weight
			转速 Speed	电 流 Input Current (A)			效 率 Efficiency η%			功率因素 Power Factor						
	kW	HP		r/min	380V	400V	416V	50% Load	75% Load		100% Load	CosΦ	N.m	Tst/Tn	Tmax/Tn	Ist/In
YBX4-160M2-8	5,5	7,5	720	13,1	12,5	12,0	86,5	88,3	88,3	0,72	73,00	1,8	2,0	8,1	68	100
YBX4-160L-8	7,5	10,0	720	17,2	16,4	15,8	87,5	89,3	89,3	0,74	99,50	1,8	2,0	7,8	68	124
YBX4-180L-8	11	15	730	25,0	23,7	22,9	88,6	90,4	90,4	0,74	143,9	18	2,0	7,9	70	160
YBX4-200L-8	15	20	730	33,3	31,7	30,5	89,4	91,2	91,2	0,75	196,2	1,8	2,0	8,0	73	212
YBX4-225S-8	18,5	25	730	40,9	38,8	37,4	89,9	91,7	91,7	0,75	242,0	1,8	2,0	8,1	73	253
YBX4-225M-8	22	30	730	47,8	45,4	43,7	90,3	92,1	92,1	0,76	287,8	1,8	2,0	8,3	73	285
YBX4-250M-8	30	40	735	63,9	60,7	58,5	90,8	92,7	92,7	0,77	389,8	1,8	2,0	7,9	75	370
YBX4-280S-8	37	50	735	77,4	73,5	70,9	91,2	93,1	93,1	0,78	480,7	1,8	2,0	7,9	76	481
YBX4-280M-8	45	60	735	93,9	89,2	85,9	91,5	93,4	93,4	0,78	584,7	1,8	2,0	7,9	76	540
YBX4-315S-8	55	75	735	111,5	105,9	102,1	91,8	93,7	93,7	0,80	714,6	1,6	2,0	8,2	82	820
YBX4-315M-8	75	100	735	151,2	143,7	138,5	92,3	94,2	94,2	0,80	974,5	1,6	2,0	7,6	82	970
YBX4-315L1-8	90	120	740	178,8	169,9	163,8	92,5	94,4	94,4	0,81	1161,5	1,6	2,0	7,7	82	105[
YBX4-315L2-8	110	150	740	217,9	207,0	199,5	92,8	94,7	94,7	0,81	1419,6	16	2,0	7,7	82	1130
YBX4-355M1-8	132	180	740	260,9	247,9	238,9	93,0	94,9	94,9	0,81	1703,5	1,6	2,0	7,7	89	1720
YBX4-355M2-8	160	220	740	311,7	296,2	285,4	93,2	95,1	95,1	0,82	2064,9	1,6	2,0	7,7	89	1800
YBX4-355L-8	200	270	740	388,5	369,0	355,7	93,5	95,4	95,4	0,82	2581,1	1,6	2,0	7,8	89	1950

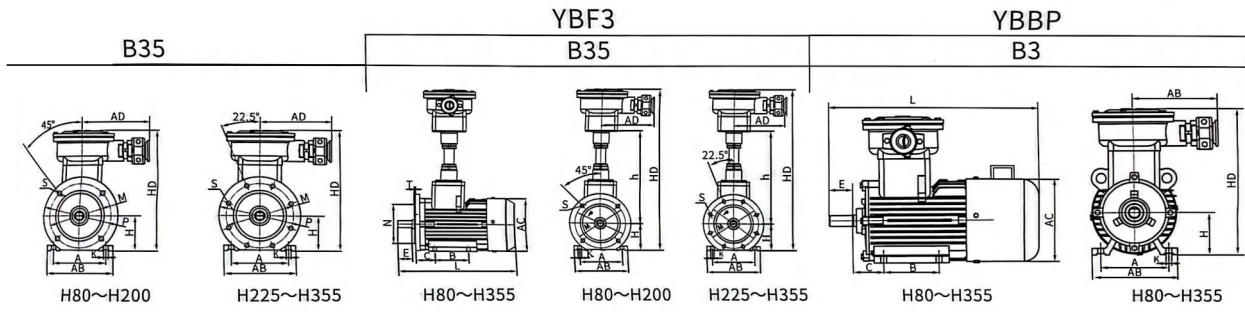
YBX4-CT4系列电机技术参数

Technical Data-YBX4-CT4 Motor- 10 Poles-50Hz

电机型号 Type	额定功率 Rated Output		满载时 Full Load								额定转矩 Rated Torque (Tn)	堵转转矩 额定转矩	最大转矩 额定转矩	堵转电流 额定电流	噪声 Noise	重量 Weight
			转速 Speed	电 流 Input Current (A)			效 率 Efficiency η%			功率因素 Power Factor						
	kW	HP		r/min	380V	400V	416V	50% Load	75% Load		100% Load	CosΦ	N.m	Tst/Tn	Tmax/Tn	Ist/In
YBX4-315S-10	45	60	590	99,6	94,7	91,2	89,7	91,5	91,5	0,75	728,4	1,5	2,0	6,2	82	830
YBX4-315M-10	55	75	590	121,1	115,1	110,9	90,0	92,0	92,0	0,75	890,3	1,5	2,0	6,2	82	940
YBX4-315L1-10	75	100	590	162,1	154,0	148,4	90,2	92,5	92,5	0,76	1214,0	1,5	2,0	6,2	82	1070
YBX4-315L2-10	90	120	590	191,0	181,4	174,9	91,3	93,0	93,0	0,77	1456,8	1,5	2,0	6,2	82	1150
YBX4-355M1-10	110	150	590	229,9	218,4	210,5	91,7	93,2	93,2	0,78	1780,5	1,3	2,0	6,0	90	1660
YBX4-355M2-10	132	180	590	275,0	261,3	251,8	91,5	93,5	93,5	0,78	2136,6	1,3	2,0	6,0	90	1780
YBX4-355L-10	160	220	590	333,3	316,7	305,2	91,5	93,5	93,5	0,78	2589,8	1,3	2,0	6,0	90	1950



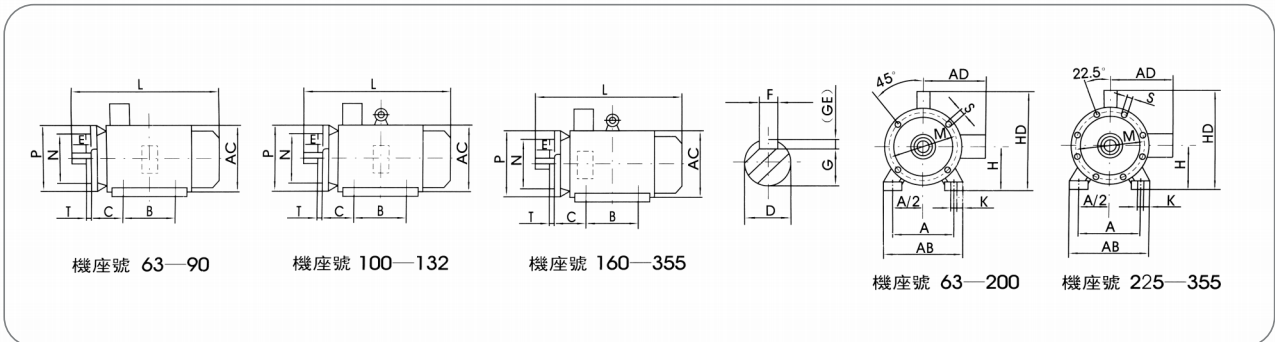
型号 Model	极数 Poles	安装尺寸 Mounting Dimensions													
		A	B	C	D	E	F	G	H	K	M	N	P	R	S
63	2,4,6,8	100	80	40	11	23	4	8.5	63	7	115	95	140	0	10
71	2,4,6,8	112	90	45	14	30	5	11	71	7	130	110	160	0	10
80M	2,4,6,8	125	100	50	19	40	6	15.5	80	10	165	130	200	0	12
90S	2,4,6,8	140	100	56	24	50	8	20	90	10	165	130	200	0	12
90L	2,4,6,8	140	125	56	24	50	8	20	90	10	165	130	200	0	12
100L	2,4,6,8	160	140	63	28	60	8	24	100	12	215	180	250	0	14.5
112M	2,4,6,8	190	140	70	28	60	8	24	112	12	215	180	250	0	14.5
132S	2,4,6,8	216	140	89	38	80	10	33	132	12	265	230	300	0	14.5
132M	2,4,6,8	216	178	89	38	80	10	33	132	12	265	230	300	0	14.5
160M	2,4,6,8	254	210	108	42	110	12	37	160	14.5	300	250	350	0	18.5
160L	2,4,6,8	254	254	108	42	110	12	37	160	14.5	300	250	350	0	18.5
180M	2,4,6,8	279	241	121	48	110	14	42.5	180	14.5	300	250	350	0	18.5
180L	2,4,6,8	279	279	121	48	110	14	42.5	180	14.5	300	250	350	0	18.5
200L	2,4,6,8	318	305	133	55	110	16	49	200	18.5	350	300	400	0	18.5
225S	4,8	356	286	149	60	140	18	53	225	18.5	400	350	450	0	18.5
225M	2	356	311	149	55	110	16	49	225	18.5	400	350	450	0	18.5
	4,6,8	356	311	149	60	140	18	53	225	18.5	400	350	450	0	18.5
250M	2	406	349	168	60	140	18	53	250	24	500	450	550	0	18.5
	4,6,8	406	349	168	65	140	18	58	250	24	500	450	550	0	18.5
280S	2	457	368	190	65	140	18	58	280	24	500	450	550	0	18.5
	4,6,8	457	368	190	75	140	20	67.5	280	24	500	450	550	0	18.5
280M	2	457	419	190	65	140	18	58	280	24	500	450	550	0	18.5
	4,6,8	457	419	190	75	140	20	67.5	280	24	500	450	550	0	18.5
315S	2	508	406	216	65	140	18	58	315	28	600	550	660	0	24
	4,6,8	508	406	216	80	170	22	71	315	28	600	550	660	0	24
315M	2	508	457	216	65	140	18	58	315	28	600	550	660	0	24
	4,6,8	508	457	216	80	170	22	71	315	28	600	550	660	0	24
315L	2	508	508	216	65	140	18	58	315	28	600	550	660	0	24
	4,6,8	508	508	216	80	170	22	71	315	28	600	550	660	0	24
355S	2	610	500	254	75	140	20	67.5	355	28	740	680	800	0	24
	4,6,8	610	500	254	95	170	25	86	355	28	740	680	800	0	24
355M	2	610	560	254	75	140	20	67.5	355	28	740	680	800	0	24
	4,6,8	610	560	254	95	170	25	86	355	28	740	680	800	0	24
355L	2	610	630	254	75	140	20	67.5	355	28	740	680	800	0	24
	4,6,8	610	630	254	95	170	25	86	355	28	740	680	800	0	24



				外形尺寸 Overall Dimensions									进线口螺纹 Cable gland
T	法兰孔数 Flange holes	AB	AC	AD	HD	YBF3		L					
						HD	h	YBX4/YBX3	YFB2/YBF3	YBBP	YBEJ3	YBD3	
								B3/B5/V1/B35					
3.5	4	125	124	165	230	-	-	241	-	-	284	-	M30×2
3.5	4	140	143	165	250	-	-	272	241	-	312	241	M30×2
3.5	4	165	165	180	320	540	460	320	330	455	365	330	M30×2
3.5	4	180	180	180	350	650	570	370	360	480	412	360	M30×2
3.5	4	180	180	180	350	650	570	395	385	505	437	385	M30×2
4	4	200	205	180	400	660	580	475	440	570	479	440	M30×2
4	4	245	230	200	420	660	555	500	460	585	507	460	M30×2
4	4	280	270	200	450	740	640	570	510	660	550	510	M30×2
4	4	280	270	200	450	740	640	615	550	700	580	550	M30×2
5	4	330	325	220	520	940	830	755	670	820	708	670	M36×2
5	4	330	325	220	520	940	830	795	710	860	748	710	M36×2
5	4	355	360	220	550	970	860	805	730	900	770	730	M36×2
5	4	355	360	220	550	970	860	805	750	920	790	750	M36×2
5	4	390	400	250	645	900	800	865	805	965	849	805	M48×2
5	8	435	450	250	690	1085	970	915	865	995	888	865	M48×2
5	8	435	450	250	690	1085	970	925	860	990	883	860	M48×2
5	8	435	450	250	690	1085	970	955	890	1020	913	890	M48×2
5	8	490	500	300	730	1125	1010	995	945	1085	-	945	M48×2
5	8	490	500	300	730	1125	1010	995	945	1085	-	945	M48×2
5	8	545	565	300	810	1230	1070	1050	1010	1245	-	1010	M48×2
5	8	545	565	300	810	1230	1070	1050	1010	1245	-	1010	M48×2
5	8	545	565	300	810	1230	1070	1125	1060	1295	-	1060	M48×2
5	8	545	565	300	810	1230	1070	1125	1060	1295	-	1060	M48×2
6	8	640	630	400	1020	1170	950	1140	1140	1320	-	1140	M48×2
6	8	640	630	400	1020	1170	950	1170	1170	1380	-	1170	M48×2
6	8	640	630	400	1020	1170	950	1260	1260	1440	-	1260	M48×2
6	8	640	630	400	1020	1170	950	1290	1290	1470	-	1290	M48×2
6	8	640	630	400	1020	1170	950	1260	1260	1440	-	1260	M48×2
6	8	640	630	400	1020	1170	950	1290	1290	1470	-	1290	M48×2
6	8	740	750	500	1080	1820	1600	-	1450	1670	-	1450	M48×2
6	8	740	750	500	1080	1820	1600	1480	1480	1700	-	1480	M48×2
6	8	740	750	500	1080	1820	1600	1570	1570	1790	-	1570	M48×2
6	8	740	750	500	1080	1820	1600	1600	1600	1820	-	1600	M48×2
6	8	740	750	500	1080	1820	1600	1640	1640	1860	-	1640	M48×2
6	8	740	750	500	1080	1820	1600	1670	1670	1890	-	1670	M48×2

附录 II - YX3、YE3、YD2、YEJ2、YVF2系列电动机外形及安装尺寸

Appendix II - YX3、YE3、YD2、YEJ2、YVF2 series motor shapes and installation dimensions



機座帶底脚，端蓋上有凸緣(帶通孔)的電動機

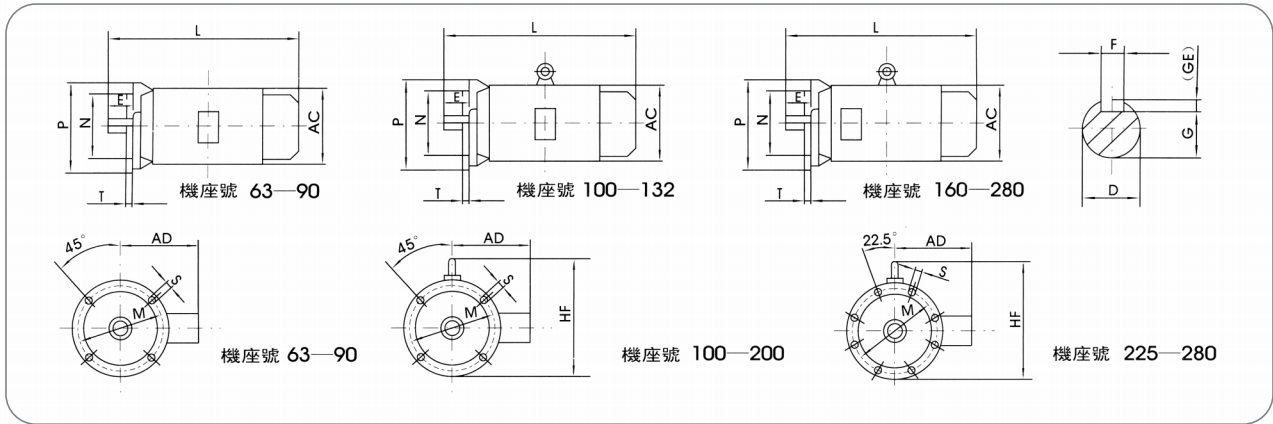
Frame with foot end, shield with flange(with through hole)

單位: mm

机座号 Frame size	凸缘号 Flange size	极数 Poles	安 装 尺 寸 Fixing Measurement														外形尺寸 Figure size								
			A	A/2	B	C	D	E	F	G	H	K	M	N	P	R	S	T	凸缘孔数 Flange holes	AB	AC	AD	HD	YE2, YX3, YE3, YD2	YVF2
63M	FF115	2、4	100	50	80	40	11	23	4	8.5	63	7	115	95	140	10	3		135	130	70	180	230	/	/
71M	FF130	2、4、6	112	56	90	45	14	30	5	11	71		130	110	160				150	145	80	195	255	/	/
80M	FF165	2、4、6、8	125	62.5	100	50	19	40	6	15.5	80	10	165	130	200	12	3.5		165	175	145	220	295	370	390
90S			140	70	100	56	24	50	20	90	180								195	155	250	320	380	420	
90L	FF215	2、4、6、8	125									8	20	90	12	15	4	4	345	410	445				
100L			160	80	140	63	28	60	24	100	205								215	180	270	385	465	480	
112M	FF265	2、4、6、8	190	95	140	70						12	215	180	250	15	4	4	230	240	190	300	400	480	510
132S			216	108	140	89	38	80	10	33	132								270	275	210	345	470	530	585
132M	FF300	2、4、6、8	178									15	300	250	350				510	570	625				
160M			254	127	210	108	42		12	37	320								330	255	420	615	660	720	
160L	FF300	2、4、6、8	254	127	254	108	42					15	300	250	350				670	715	765				
180M			279	139.5	241	121	48	110	14	42.5	180								355	380	280	455	700	775	825
180L	FF350	2、4、6、8	279									15	16	49	200				740	815	875				
200L			318	159	305	133	55		16	49	200								395	420	305	505	770	850	900
225S	FF400	4、8			286		60	140	18	53	19	350	300	400					815	885	1000				
225M			356	178	311	149	55	110	16	49									225	400	350	450	0	19	5
250M	FF500	4、6、8					60			53	24	500	450	550					845						
280S			406	203	349	168			18	250									490	510	370	615	910	980	
280M	FF500	4、6、8					65			58	24	500	450	550					985	1085					
315S			457	228.5	368	190	75	140	20	67.5									280	550	580	410	680	1035	1135
315M	FF600	4、6、8、10					65			58	28	600	550	660											
315L			508	254	457	216	80	170	22	71									315	635	645	490	800	1178	1285
355M	FF740	4、6、8、10					75	140	20	67.5	28	740	680	800					1208						
355L			610	305	560	254	80	170	22	71									355	730	710	530	880	1290	1395
355S	FF740	4、6、8、10					75	140	20	67.5	28	740	680	800					1320						
355L			610	305	630	254	80	170	25	86									355	730	710	530	880	1290	1395

附录 III- YX3、YE3、YD2、YEJ2、YVF2系列电动机外形及安装尺寸

Appendix III-YX3, YE3, YD2, YEJ2, YVF2 series motor shapes and installation dimensions

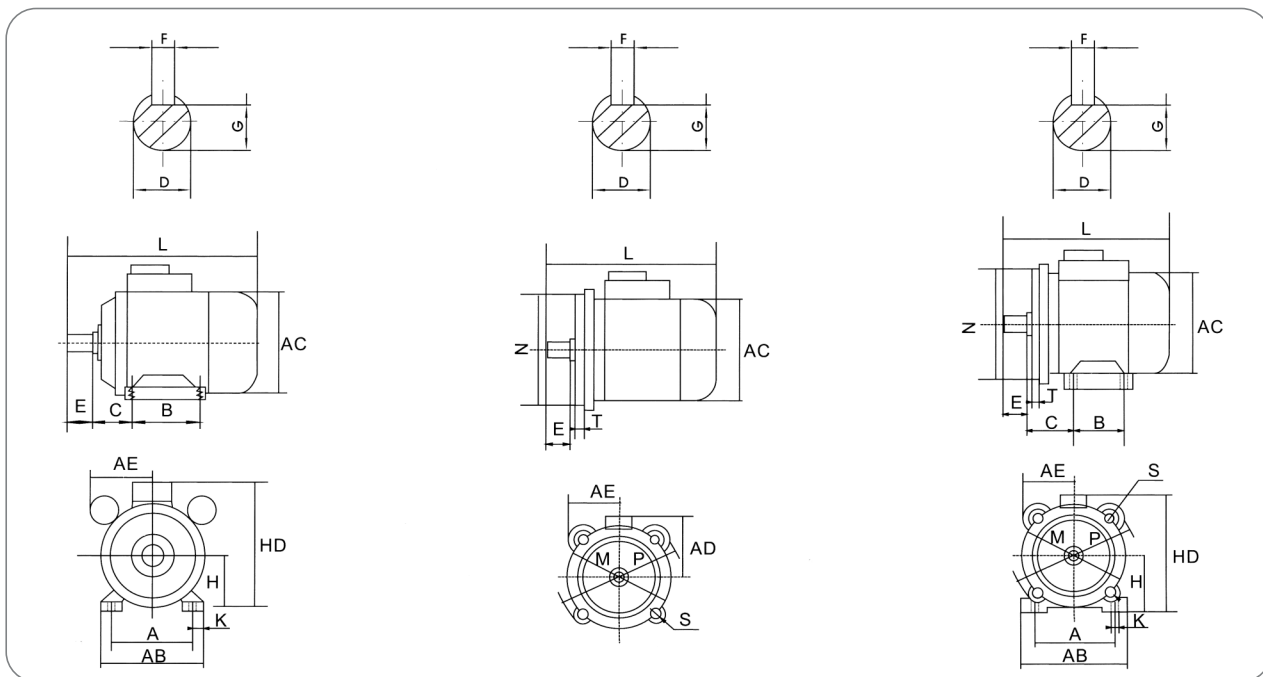


单位: mm

机座号 Frame size	凸缘号 Flange size	极数 Poles	安 装 尺 寸 Fixing Measurement										外 形 尺 寸 Figure size									
			D	E	F	G	M	N	P	R	S	T	凸缘孔数 Flange holes	AC	AD	HD	L					
			YE2, YX3, YE3, YD2	YVF2	YEJ2																	
63M	FF115	2、4	11	23	4	8.5	115	95	140							130	70	130	230	/	/	
71M	FF130	2、4、6	14	30	5	11	130	110	160			10				145	80	145	255	/	/	
80M	FF165	2、4、6、8	19	40	6	15.5	165	130	200	0	12	3.5	4	4	175	145	185	295	370	390		
90S			24	50	20	215									180	250	195	155	195	320	380	420
90L			28	60	24	215									180	250	345	410	445			
100L	FF215	2、4、6、8	28	60	24	215	180	250			15	4			215	180	245	385	465	480		
112M			240	190	265	400	480	570														
132S	FF265	2、4、6、8	38	80	10	33	265	230	300						275	210	315	470	530	585		
132M			510	570	625																	
160M	FF300	2、4、6、8	42	110	12	37	300	250	350	0	15	4	4	8	330	255	385	615	660	720		
160L			48		14	42.5									380	280	430	670	715	765		
180M			48	14	42.5	700	775	825														
180L			740	815	875																	
200L	FF350		55		16	49	350	300	400					420	305	480	770	850	900			
225S	FF400	4、8	60	140	18	53	400	350	450	19	5	8	8	510	370	595	815	880	1000			
225M		2	55	110	16	49											470	335	535	820	915	1000
		4、6、8	60		53	845											1030					
250M	FF500	2	140	18	58	500	450	550	8	510	370	595	910	980	985	1085	/					
280S		4、6、8																65	20	67.5	580	410
		2	65	18	58																	
280M		4、6、8	75	20	67.5																	

附录 VI - YL系列单相双值电容异步电动机

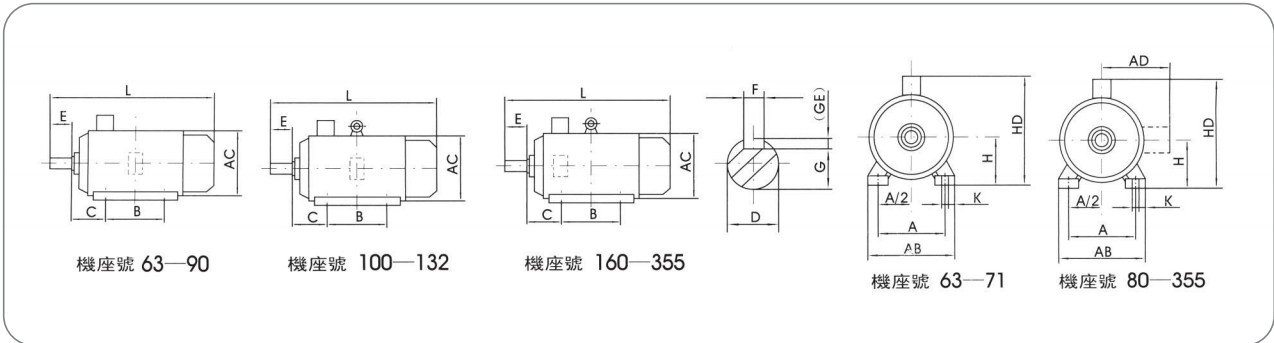
Appendix VI-YL series single-phase dual-value Capacitor Induction Motors



单位: mm

机座号 Frame size	安 装 尺 寸 Fixing Measurement																								外 形 尺 寸 Figure size			
										IMB14.IMB34						IMB5.IMB35												
	A	B	C	D	E	F	G	H	K	M	N	P	R	S	T	M	N	P	R	S	T	AB	AC	AD	AE	HD	L	
71	112	90	45	14	30	5	11	71	7	85	70	1.5	0	M6	2.5	-	-	-	-	-	-	145	145	140	105	180	255	
80	125	100	50	19	40	6	15.5	80	10	100	80	120	0	M6	2.5	-	-	-	-	-	-	160	165	150	120	200	295	
90S	140	100	56	24	50	8	20	90	10	115	95	140	0	M8	3	-	-	-	-	-	-	180	185	160	130	240	370	
90L	140	125	56	24	50	8	20	90	10	115	95	140	0	M8	3	-	-	-	-	-	-	180	185	160	130	240	400	
100L	160	140	63	28	60	8	24	100	12	-	-	-	-	-	-	215	180	250	0	15	4	205	220	180	130	260	430	
112M	190	140	70	28	60	8	24	112	12	-	-	-	-	-	-	215	180	250	0	15	4	245	250	190	140	300	455	
132S	216	140	89	38	60	10	33	132	12	-	-	-	-	-	-	215	180	250	0	15	4	280	290	210	155	300	525	

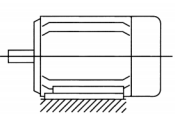
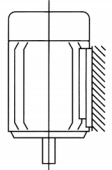
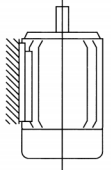
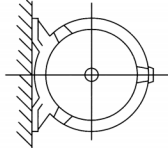
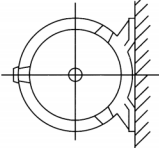
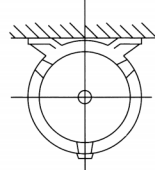
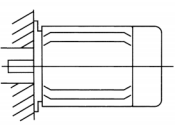
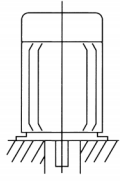
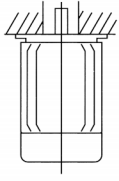
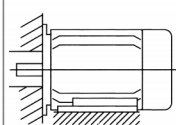
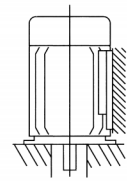
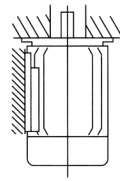
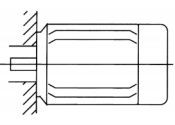
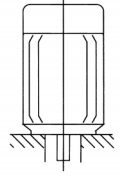
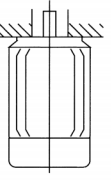
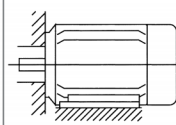
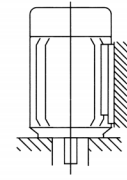
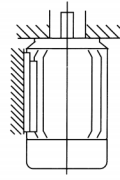
附录 I- YX3、YE3、YD2、YEJ2、YVF2系列电动机外形及安装尺寸



单位: mm

机座号 Frame size	极数 Poles	安 装 尺 寸 Fixing Measurement										外 形 尺 寸 Figure size															
		A	A/2	B	C	D	E	F	G	H	K	AB	AC	AD	HD	L											
																	YE2, YX3, YE3, YD2	YVF2	YEJ2								
63M	2、4	100	50	80	40	11	23	4	8.5	63	7	135	130	70	180	230	/	/									
71M	2、4、6	112	56	90	45	14	30	5	11	71		150	145	80	195	255	/	/									
80M	2.4.6.8	125	62.5	100	50	19	40	6	15.5	80	10	165	175	145	220	295	370	390									
90S		140	70	100	56	24	50	8	20	90		180	195	155	250	320	380	420									
90L		125	80	125	63	28	60		24	100	12	345	410	445													
100L		160		140				63				28	60	24	100	205	215	180	270	385	465	480					
112M		190	95	140	70	110	12	37	160	15	230	240	190	300	400	480	510										
132S		216	108	140	89						38	80	10	33	132	270	275	210	345	470	530	585					
132M		178	127	178	108	42	110	12	37	160	15	510	570	625													
160M		254		210								108	42	110	12	37	160	320	330	255	420	615	660	720			
160L		254	139.5	254	121	48	110	14	42.5	180	19	670	715	765													
180M		279		241								121	48	110	14	42.5	180	355	380	280	455	700	775	825			
180L	279	159	279	133	55	110	16	49	200	19	740	815	875														
200L	318		305								133	55	110	16	49	200	395	420	305	505	770	850	900				
225S	4、8	356	178	286	149	60	140	18	53	225	19	435	470	335	560	815	885	1000									
225M	2			311		60	140	18	53							225	435	470	335	560	820	915	1000				
250M	4、6、8	406	203	349	168	140	18	58	250	24	24	490	510	370	615	845	915	1030									
	2															65	18	58	250	490	510	370	615	910	980		
280S	2	457	228.5	368	190	140	20	67.5	280	24	24	550	580	410	680	985	1085	/									
280M	4、6、8			419												65	18	58	280	550	580	410	680	1035	1135		
	2			65												18	58	280	550	580	410	680	1035	1135			
315S	2			508												254	406	216	170	22	71	315	28	28	635	645	490
315M	4、6.8.10	457	65		140	18	58	315	635	645	490	800	1290	1395													
	2	457	65		140	18	58	315	635	645	490	800	1320	1395													
315L	4、6.8.10	508	65		140	18	58	315	635	645	490	800	1290	1395													
355M	2	610	305	560	254	140	20	67.5	355	28	28	730	710	530	880	1500	/	/									
	4、6.8.10			560												75	170	25	86	355	730	710	530	880	1530	/	/
355L	2			630												75	140	20	67.5	355	730	710	530	880	1500	/	/
	4、6.8.10			630												75	170	25	86	355	730	710	530	880	1530	/	/

国家电工委员会 IEC 60034-7 标准规定的电机安装方式
Mounting arrangements according to IEC 60034-7 standard

电机安装方式 Mounting arrangements	机座带底脚，端盖上无凸缘的电动机 Feet mounting without Flange					
	B3(IM1001)	V5(IM1011)	V6(IM1031)	B6(IM1051)	B7(IM1061)	B8(IM1071)
制造范围 Range	H63~H355	H63~H160	H63~H160	H63~H160	H63~H160	H63~H160
示意图 Diagram						
电机安装方式 Mounting arrangements	机座不带底脚，端盖上有大凸缘的电动机 Large flange mounting without feet			机座带底脚，端盖上有大凸缘的电动机 Large flange and mounting		
	B5(IM3001)	V1(IM3011)	V3(IM3031)	B35(IM2001)	V15(IM2011)	V36(IM2031)
制造范围 Range						
示意图 Diagram						
电机安装方式 Mounting arrangements	机座不带底脚，端盖上有小凸缘的电动机 Small flange mounting without feet			机座带底脚，端盖上有小凸缘的电动机 Small flange and feet mounting		
	B14(IM3601)	V18(IM3611)	V19(IM3631)	B34(IM2101)	V58(IM2111)	V69(IM2131)
制造范围 Range						
示意图 Diagram						

电机常见故障及排除方法 Frequent malfunctions and solutions

故障	可能的原因	检查或校正方法
1、電動機空載時不能啟動	<ol style="list-style-type: none"> 1、饋電路斷線（三相當中的一根） 2、定子三相繞組中的一相斷路（“Y”形連接時） 3、電源電壓或頻率不對 	<p>檢查電源電壓和個別連接處。 檢查保險絲，饋電線內電流和每一相繞組的電阻。 檢查電壓及頻率。</p>
2、電動機在負載時不能啟動，在低負載或空載時能啟動，但在負載增加后轉速即大跌或甚至停下來	<ol style="list-style-type: none"> 1、電源電壓低 2、定子繞組有匝間短路 3、定子三相繞組中異相斷線（“Δ”接線法時） 4、過載 	<p>檢查線路電壓。 檢查每相繞組和每相空載電流。 檢查每相繞組電阻。 檢查負載。</p>
3、電機停留在低轉速	<ol style="list-style-type: none"> 1、定子繞組一相接反，電動機發響聲 2、轉子端環和導杆中間有斷裂情況 	<p>檢查饋電線的電流和引出線標記。 檢查短路電流。</p>
4、定子過熱	<ol style="list-style-type: none"> 1、饋電線路三根中有一根斷線或定子繞組一相斷路 2、電源電壓過大或過低 3、過載 4、定子匝間或相同短路 5、通風不好 	<p>檢查保險絲、線間電壓和導線電流。 檢查饋電線內的電流，檢查定子相間和對地絕緣電阻。 檢查繞組電阻。檢查通風孔道。</p>
5、軸承過熱	<ol style="list-style-type: none"> 1、裝配不對 2、電動機軸與被拖動之軸不平行 3、沒有潤滑油，油內有雜物或油質不良 4、皮帶過緊 5、不平衡的磁性吸力大 	<p>檢查轉子是否容易轉動。 校正兩軸平衡。 用汽車洗刷更換潤滑油。 松皮帶或移動底腳。 檢查空氣隙偏心率。</p>
6、合閘時保險設備跳閘	<ol style="list-style-type: none"> 1、定子繞組一相接反 2、把應當接成“Y”形的定子三相繞組接成子“Δ”形 3、繞組對機座短路或相間短路 	<p>檢查引出線標記和接法。 檢查引出線標記和接法。 檢查各相繞組對機座的絕緣以及相同絕緣。</p>
7、機械振動大	<ol style="list-style-type: none"> 1、轉子不平衡只在相當低的轉數時才不振動 2、軸向竄動大 3、傳動皮帶接頭接得不好 4、皮帶輪不平穩 	<p>檢查平衡情況。 檢查軸承外的間隙，並加以調整。 重新接皮帶。 檢查皮帶輪。</p>

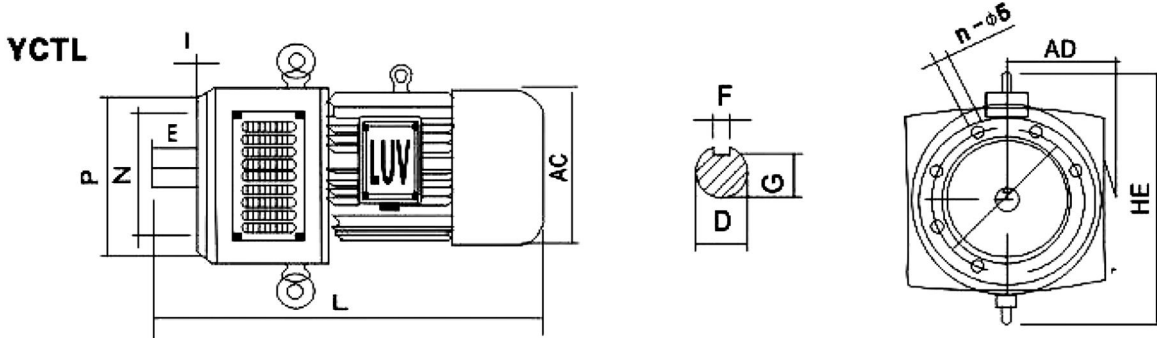
注：電動機的故障及產生的故障的原因很多，有時一個故障可能有幾個原因，一個原因也可以產生幾種故障，上表所列僅為常見的幾種，在檢查如發生疑問可參閱有關檢修維護書或與製造廠聯系。

Stoppage	Possible reasons	Check or calibration methods
1. No-load motor can't start	<ol style="list-style-type: none"> 1. Circuit broken wires (one of the three is the root) 2. When the child three-phase winding of the a phase breakers ("Y" type of connection) 3. The power supply voltage and frequency is wrong 	<p>Check the power supply voltage or individual connection. Check the fuse, feeders of current and each phase of the winding resistance. Check voltage and frequency</p>
2. Motor load in cannot begin at low load or no-load to start when, but in load increase speed that are even stop to plunge	<ol style="list-style-type: none"> 1. The low voltage power supply 2. The group turns around the son between short circuit 3. The stator three-phase winding out-of-phase break line ("Δ" then method) 4. Overload 	<p>Check the line voltage; Check each phase windings and each phase no-load current; Check each phase winding resistance; Check the load</p>
3. Motor stay in low rotation speed	<ol style="list-style-type: none"> 1. A connect the stator winding, motor hair crosstalk 2. The rotor ring and guide bar among fracture 	<p>Check feeders current and lead wire mark; Check short-circuit current</p>
4. Stator overheating	<ol style="list-style-type: none"> 1. Feeders three roots there was a break or stator winding a phase open circuit 2. The power supply voltage too big or too low 3. overload 4. Same stator circle or short circuit 5. And ventilated bad 	<p>Check the fuse, line voltage and current between wire; Check the current in a feeders, Check the stator alternate with and ground insulation resistance; Check the winding resistance and stable wa</p>
5. Bearing overheating	<ol style="list-style-type: none"> 1. The assembly wrong 2. The motor shaft and the dragging is not parallel axis 3. No lubricating oil, oil impurities or oily bad there 4. Belts tight 5. Don't balance of magnetic big suction 	<p>Check whether the rotor to turn; Correction two axis balance; Use the car wash oil changing; The belt or loose move feet; Check the air gap eccentric degrees</p>
6. When feeder insurance facilities trip	<ol style="list-style-type: none"> 1. A connect the stator winding 2. Put a "Y" shall meet type stator windings to become "Δ" Δ 3. Winding base to short circuit or alternate with short circuit 	<p>Check mark and lead wire by law; Check mark and lead wire by law; Check the phase windings of the insulation and the same base of insulation</p>
7. Mechanical vibration	<ol style="list-style-type: none"> 1. Relet not only in balance quite a low speed don't vibration 2. the axial moving there 3. transmission belt joint answered the bad 4. pulley is not even 	<p>Check the balance situation; Check the clearance of bearing, and to make adjustments. To meet the belt; Check the pulley</p>

Note: There are many reasons for the malfunctions, sometimes there might be several reasons for one problem, sometimes one reason might cause several problems. These listed in the table are just those frequent appeared, please don't hesitate to contact us while in need.

**ELECTRIC
MOTOR**

型号 Type	安 装 尺 寸 Installation dimensions									外形尺寸 External dimensions				
	A	WB	WC	E	H	D	F	G	K	AB	AC	AD	HD	L
YCT112-4A	190	210	40	40	112	19	6	15.5	12	240	260	150	280	520
YCT112-4B				50										
YCT132-4A	216	241	40	50	132	24	8	20	15	330	350	185	385	570
YCT132-4B				60										585
YCT160-4A	254	267	45	60	160	28	8	24	15	410	430	195	430	700
YCT160-4B				180										860
YCT180-4A	279	305	50	80	200	38	10	33	19	465	485	270	545	980
YCT200-4A				110										1025
YCT200-4B	318	356	50	80	200	38	10	33	19	465	485	270	545	1130
YCT225-4A				110										1170
YCT225-4B	356	406	56	80	225	42	12	37	24	520	540	295	595	1280
YCT250-4A				110										1400
YCT250-4B	406	457	63	80	250	48	14	42.5	24	575	595	320	665	1400
YCT280-4A				140										1425
YCT315-4A	508	560	89	80	315	60	18	53	28	645	670	345	770	1550
YCT315-4B				140										1630
YCT355-4A	610	630	108	140	65	355	20	58	28	755	780	390	890	1680
YCT355-4B					75			67.5				420		1630
YCT355-4C					75			67.5				420		1680



型号 Type	安 装 尺 寸 Installation dimensions										外形尺寸 External dimensions			
	D	E	F	G	M	N	P	n	S	T	AC/2	AD	HD	L
YCT112-4A	19	40	6	15.5	215	180	250	4	15	4	125	150	333	515
YCT112-4B				20										
YCT132-4A	24	50	8	20	265	230	300	6	19	5	142	155	391	580
YCT132-4B				24										620
YCT160-4A	28	60	8	24	300	250	350	6	19	5	165	185	445	665
YCT160-4B				28										670
YCT180-4A	38	80	10	33	300	250	350	6	19	5	180	190	485	670
YCT200-4A				40										840
YCT200-4B	42	110	12	37	350	300	400	8	19	5	205	210	530	840
YCT225-4A				42										970
YCT225-4B	48	110	14	42.5	400	350	450	8	19	5	225	255	582	1015
YCT250-4A				48										1130
YCT250-4B	55	110	16	49	450	400	500	8	19	5	250	285	642	1170
YCT280-4A				55										1270