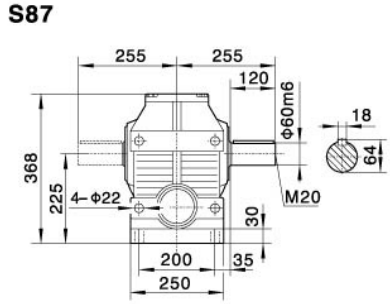
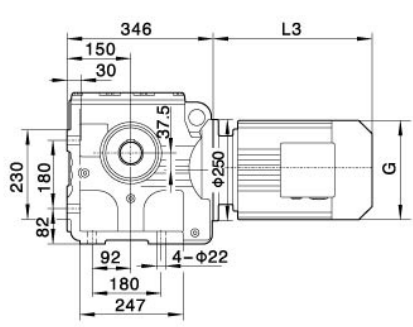
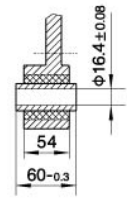
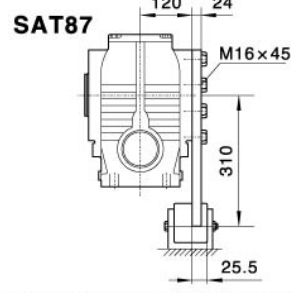
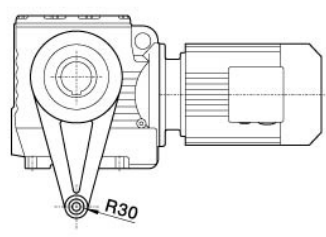
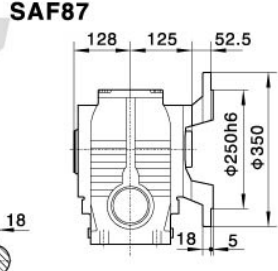
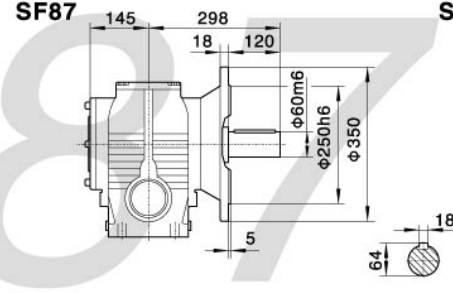
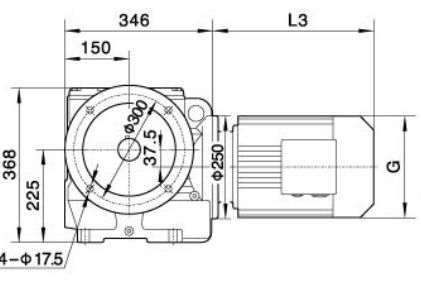
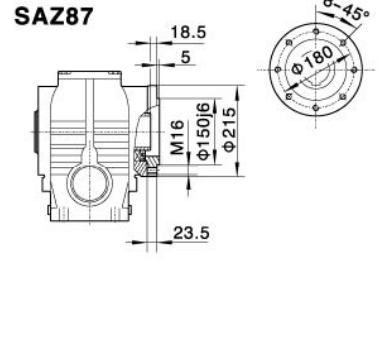
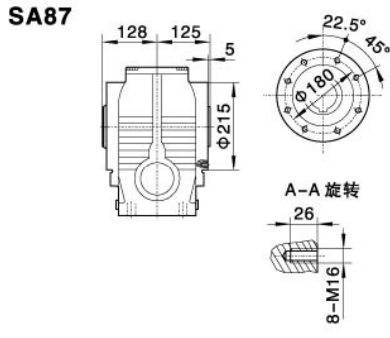
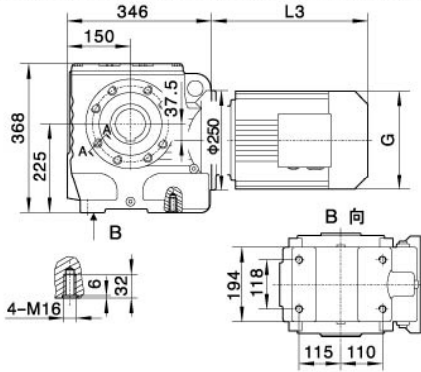
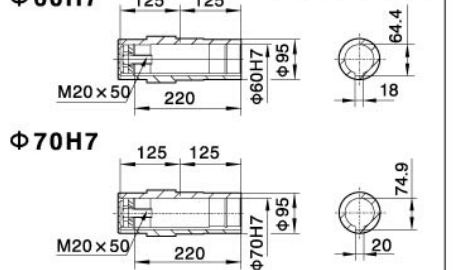


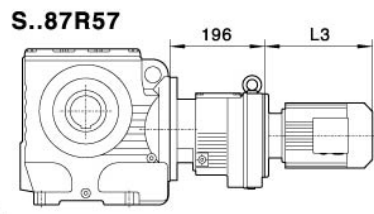
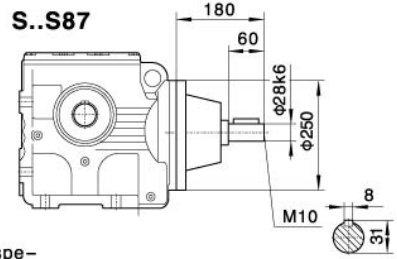
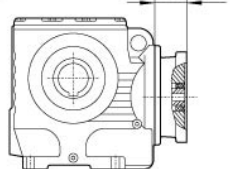
外形安装尺寸  
Mounting Dimension Sheets-overview



SA87/SAZ87/SAF87空心轴  
/Hollow shaft



电机需方配或配特殊电机时需加联接法兰



注: 其余尺寸见相对应结构形式  
Note: For other values please refer to the opposed structure.

When equipping the user's motor or the special one, the flange is required to be connected.

Y2电机座号 Motor size	80	90S	90L	100	112M	132S	132M	160M	160L	
功率/4P Power/(kW)	0.75	1.1	1.5	2.2	3.0	4.0	5.5	7.5	11	15
L3	246	280	304	350	380	425	461	524	547	
G	175	195	195	215	240	275	275	330	330	
L2	86	86	86	71	71	101	101	126	126	

注: 1. SA, SF, SAF, SAZ壳体为通用件, 安装尺寸均可相互参照. 2. "S.."表示S, SA, SF, SAF, SAZ

Note: 1. The housings of SA, SF, SAF, SAZ are common parts. The mounting dimensions may consult each other. 2. "S.."mean S, SA, SF, SAF, SAZ