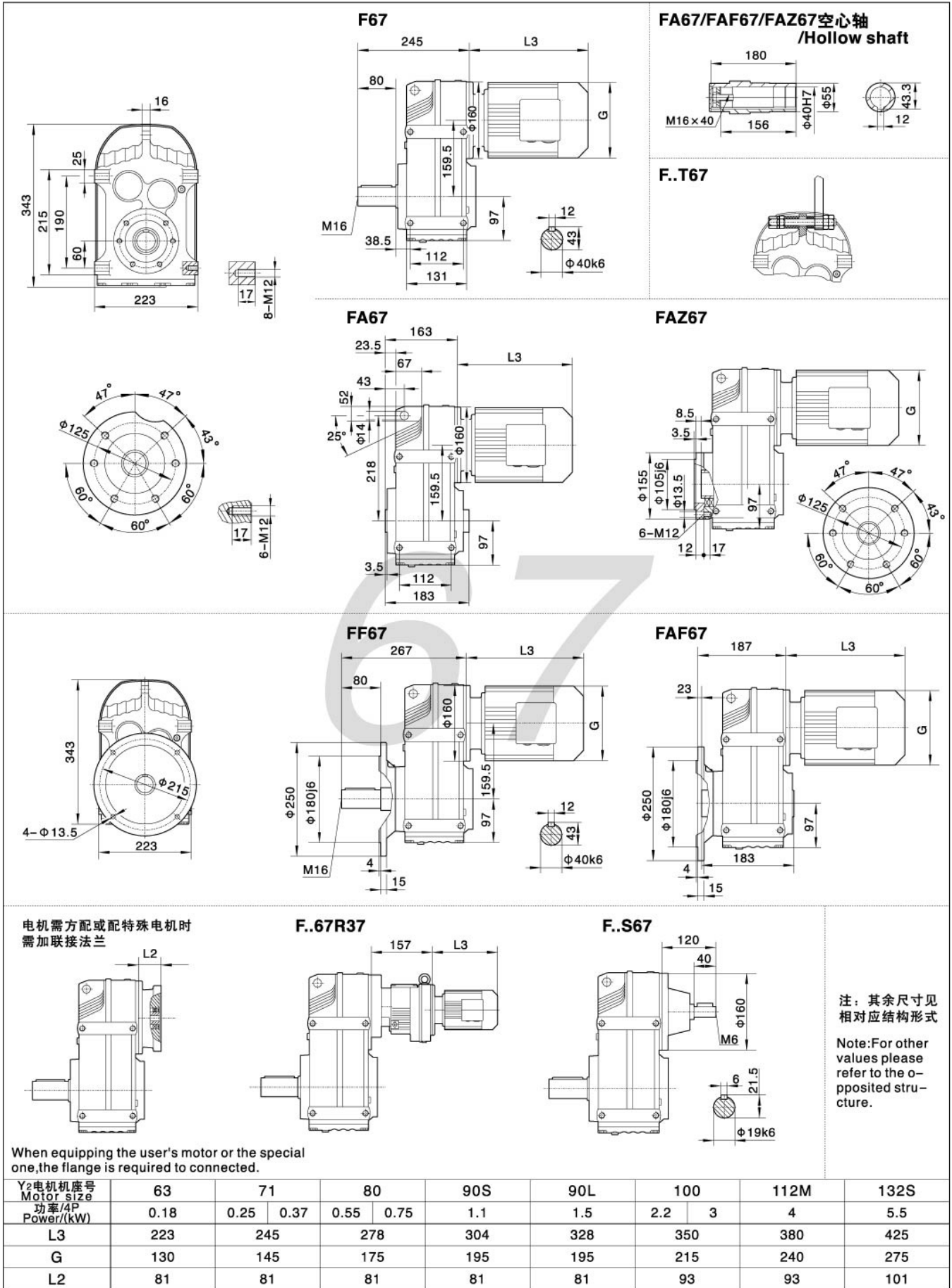


外形安装尺寸
Mounting Dimension Sheets-overview



注：其余尺寸见
相对应结构形式
Note: For other
values please
refer to the o-
pposited stru-
cture.

注:1.以上壳体为通用件,安装尺寸均可相互参照 2."F.."表示F、FA、FF、FAF、FAZ
Note:1.The above housings are common parts.The mounting dimensions may consult each other. 2."F.."mean F、FA、FF、FAF、FAZ